

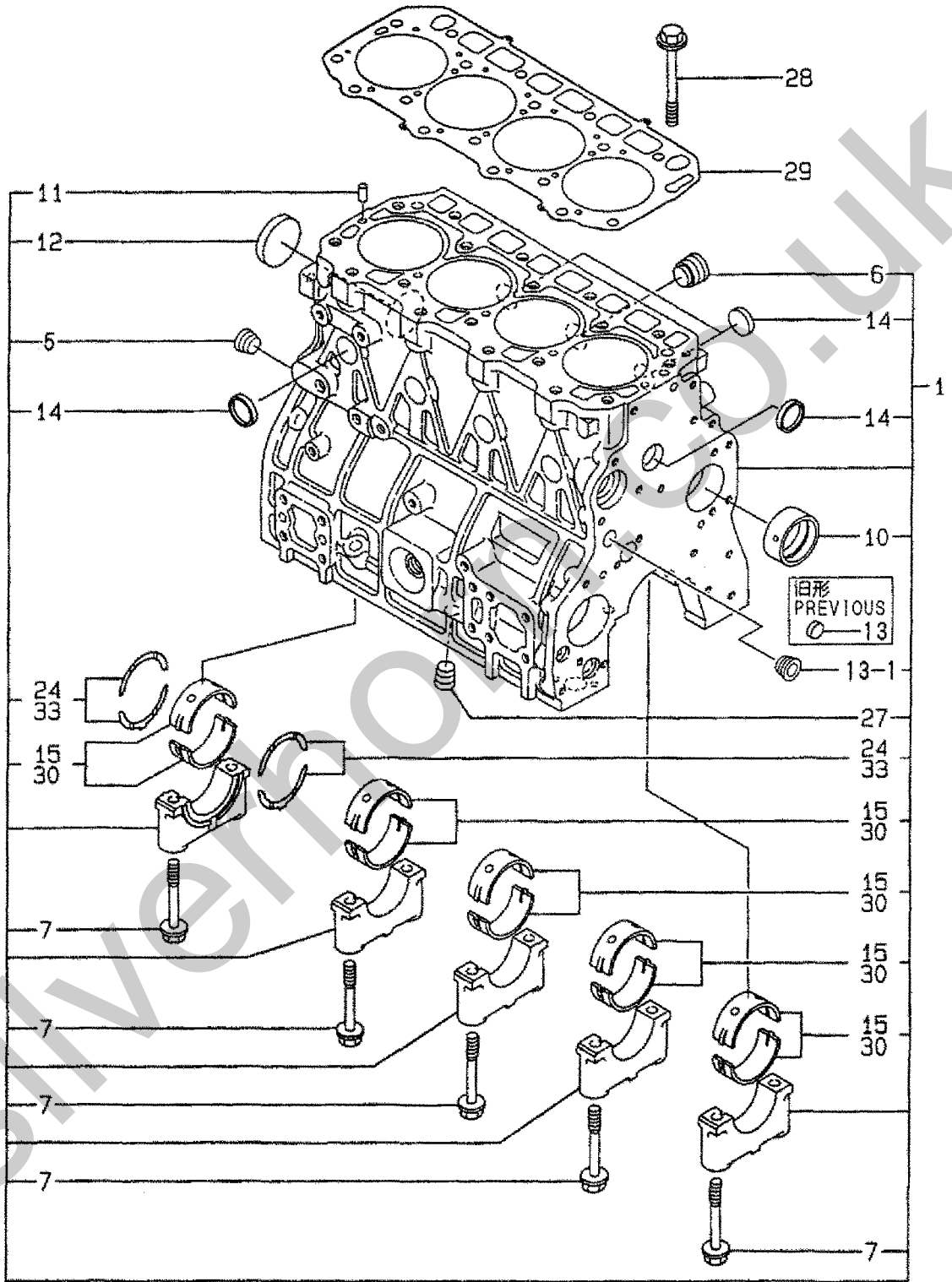
[Info]
PcNo=Y00B5472
PcName=4TNE98-BV(VIO70)
JpnUse=0
JpnSec1=fGf`fWf`
JpnSec2=-§ -
JpnSec3=TNE
JpnPreface=0
EngUse=1
EngSec1=ENGINE
EngSec2=SMALL VERTICAL (ViO)
EngSec3=TNE
EngPreface=0

Silverhorn.CO.UK

1,1,,729902-01560,, "BLOCK ASSY, CYLINDER",1,,,,,,,,,,,,,
5,2,,23871-030000,, "PLUG PT3/8,SCREW",1,,,,,,,,,,,,,
5-1,2,,23876-030000,, "PLUG PT3/8,SCREW",1,,,,,N,,,"E/# 06107",,,,,,
6,2,,171051-01921,, PLUG,1,,,,,,,,,,,,,
7,2,,129900-02020,, "BOLT, METAL CAP",10,,,,,,,,,,,,,
10,2,,129900-02410,, "BUSH, CAMSHAFT",1,,,,,,,,,,,,,
11,2,,22351-060012,, "SPRING PIN 6X12",2,,,,,,,,,,,,,
12,2,,27231-550000,, "PLUG 55",1,,,,,,,,,,,,,
13,2,,27241-160000,, "PLUG 16",1,,,,,,,,,,,,,
13-1,2,,23871-030000,, "PLUG PT3/8,SCREW",1,,,,,S,,,"FROM 1ST",,,,,,
13-2,2,,23876-030000,, "PLUG PT3/8,SCREW",1,,,,,N,,,"E/# 06107",,,,,,
14,2,,27241-300000,, "PLUG 30",8,,,,,,,,,,,,,
15,2,,129900-02800,, "BEARING ASSY, MAIN",5,,,,,,,,,,,,,
24,2,,129900-02930,, "BEARING ASSY, THRUST",2,,,,,,,,,,,,,
27,2,,23871-030000,, "PLUG PT3/8,SCREW",1,,,,,,,,,,,,,
27-1,2,,23876-030000,, "PLUG PT3/8,SCREW",1,,,,,N,,,"E/# 06107",,,,,,
28,1,,129900-01200,, "BOLT, HEAD",18,,,,,,,,,,,,,
29,1,,129902-01330,, "GASKET,CYL.HEAD",1,,,,,A,,,,,,,,,
29-1,1,,129902-01331,, "GASKET, HEAD",1,,,,,N,A,,,"E/# 06107",,,,,,
30,1,,129900-02340,, "MAIN BEARING US=0.25",5,,,,,1,,,,,,,,,
33,1,,129900-02940,, "BEARING,THRUST .25OS",2,,,,,2,,,,,,,,



Fig. 1 シリンダブロック
CYLINDER BLOCK



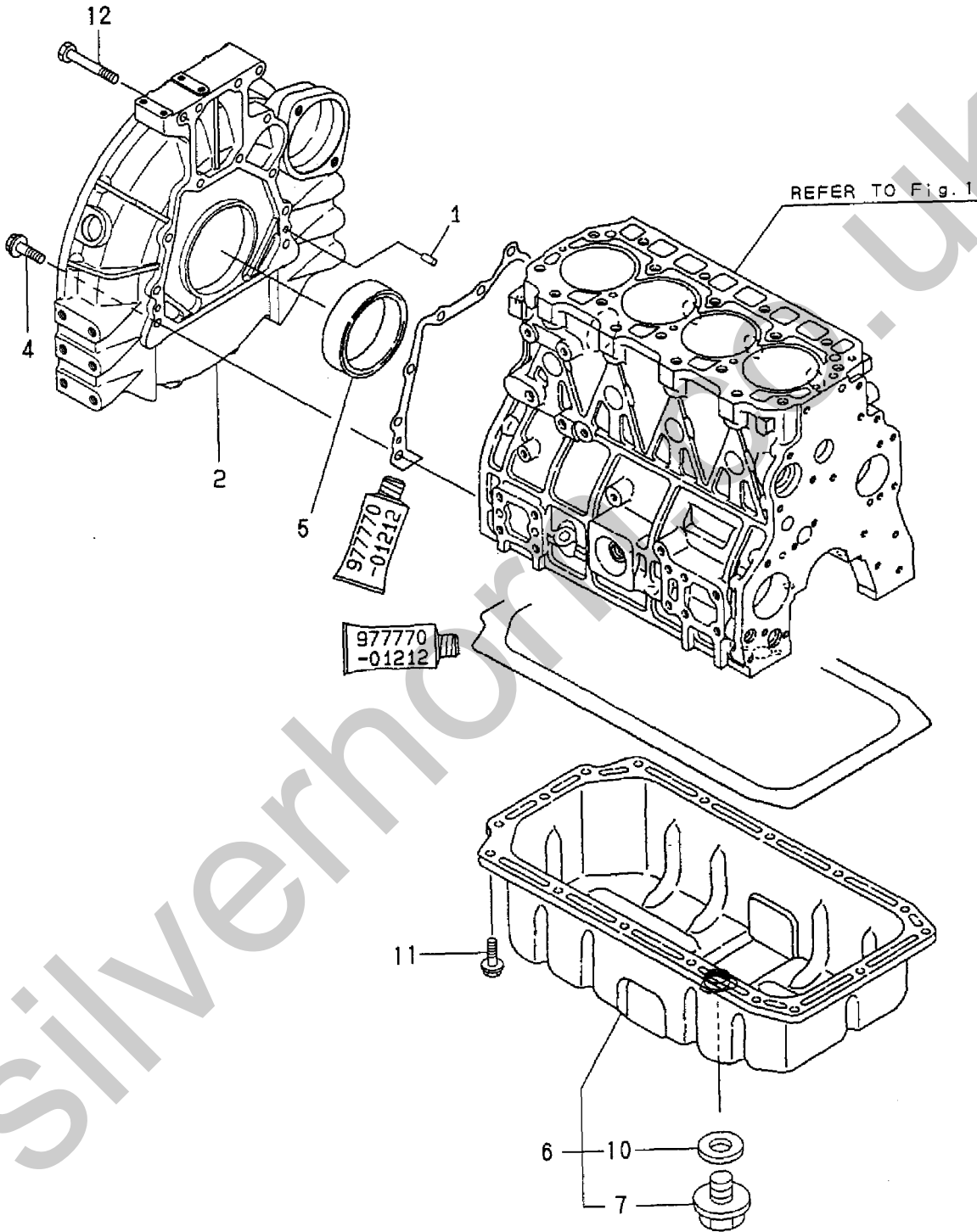
1,1,,729900-01570,, "COVER, GEAR HOUSING",1,,,,,,,,,,,,,
3,2,,129900-01780,, "SEAL, OIL",1,,,,,,,,,,,,,
4,1,,129900-01740,, "COVER, F.I. PUMP",1,,,,,,,,,,,,,
4-1,1,,129951-01740,, "COVER, F.I. PUMP",1,,,,,N,,,,E/#01834,,,,,
5,1,,129900-01820,, "HOUSING COMP, GEAR",1,,,,,,,,,,,,,
7,2,,129900-32000,, "PUMP ASSY, LUB. OIL",1,,,,,,,,,,,,,
8,2,,26216-100302,, "STUD BOLT",4,,,,,,,,,,,,,
9,1,,24321-000850,, "O-RING 1A G-85.0",1,,,,,A,,,,,
10,1,,129900-32030,, "O-RING P20",1,,,,,A,,,,,
11,1,,129900-32040,, "O-RING P14",1,,,,,A,,,,,
12,1,,129100-01580,, "PARALLEL PIN 8X16",4,,,,,,,,,,,,,
13,1,,26106-080162,, "BOLT M 8X 16 PLATED",1,,,,,,,,,,,,,
14,1,,26106-080202,, "BOLT M 8X 20 PLATED",3,,,,,,,,,,,,,
15,1,,26106-080302,, "BOLT M 8X 30 PLATED",1,,,,,,,,,,,,,
16,1,,26106-080402,, "BOLT M 8X 40 PLATED",5,,,,,,,,,,,,,
17,1,,24311-000070,, "O-RING 1A P-7.0",1,,,,,A,,,,,
18,1,,26106-080402,, "BOLT M 8X 40 PLATED",5,,,,,,,,,,,,,
19,1,,26106-080452,, "BOLT M 8X 45 PLATED",3,,,,,,,,,,,,,
20,1,,26106-080702,, "BOLT M 8X 70 PLATED",6,,,,,,,,,,,,,
20-1,1,,129001-91810,, "BOLT M 8X 70 PLATED",6,,,,,R,,,,E/# 02670,,,,,
21,1,,26106-080702,, "BOLT M 8X 70 PLATED",1,,,,,,,,,,,,,
21-1,1,,129001-91810,, "BOLT M 8X 70 PLATED",1,,,,,R,,,,E/# 02670,,,,,
22,1,,26366-100002,, "NUT M10",4,,,,,,,,,,,,,
23,1,,124160-01751,, "CAP, LUB.OIL SUPPLY",1,,,,,,,,,,,,,
24,1,,171031-11741,, "PIPE",1,,,,,,,,,,,,,
25,1,,24311-000320,, "O-RING 1A P-32.0",2,,,,,A,,,,,
26,1,,121023-01550,, "COVER, BLIND",1,,,,,,,,,,,,,
27,1,,24341-000240,, "O-RING 1A S-24.0",1,,,,,A,,,,,
28,1,,26106-060162,, "BOLT M 6X 16 PLATED",2,,,,,,,,,,,,,



1,1,,129100-01580,, "PARALLEL PIN 8X16",2,,,,,,,,,,,,,
2,1,,129953-01620,, "HOUSING, FLYWHEEL",1,,,,,,,,,,,,,
4,1,,26106-100352,, "BOLT M10X 35 PLATED",9,,,,,,,,,,,,,
5,1,,124411-01780,, "SEAL HTC95,115,10",1,,,,,,,,,,,,,
6,1,,129953-01710,, "SUMP ASSY, OIL",1,,,,,,,,,,,,,
7,2,,119640-01640,, "DRAIN PLUG M22",1,,,,,,,,,,,,,
10,2,,22190-220002,, "SEAL WASHER 22S",1,,,,,,,,,,,,,
11,1,,26106-080122,, "BOLT M 8X 12 PLATED",21,,,,,,,,,,,,,
12,1,,26206-100702,, "BOLT M10X 70 PLATED",4,,,,,,,,,,,,,

Silverhorn.CO.UK

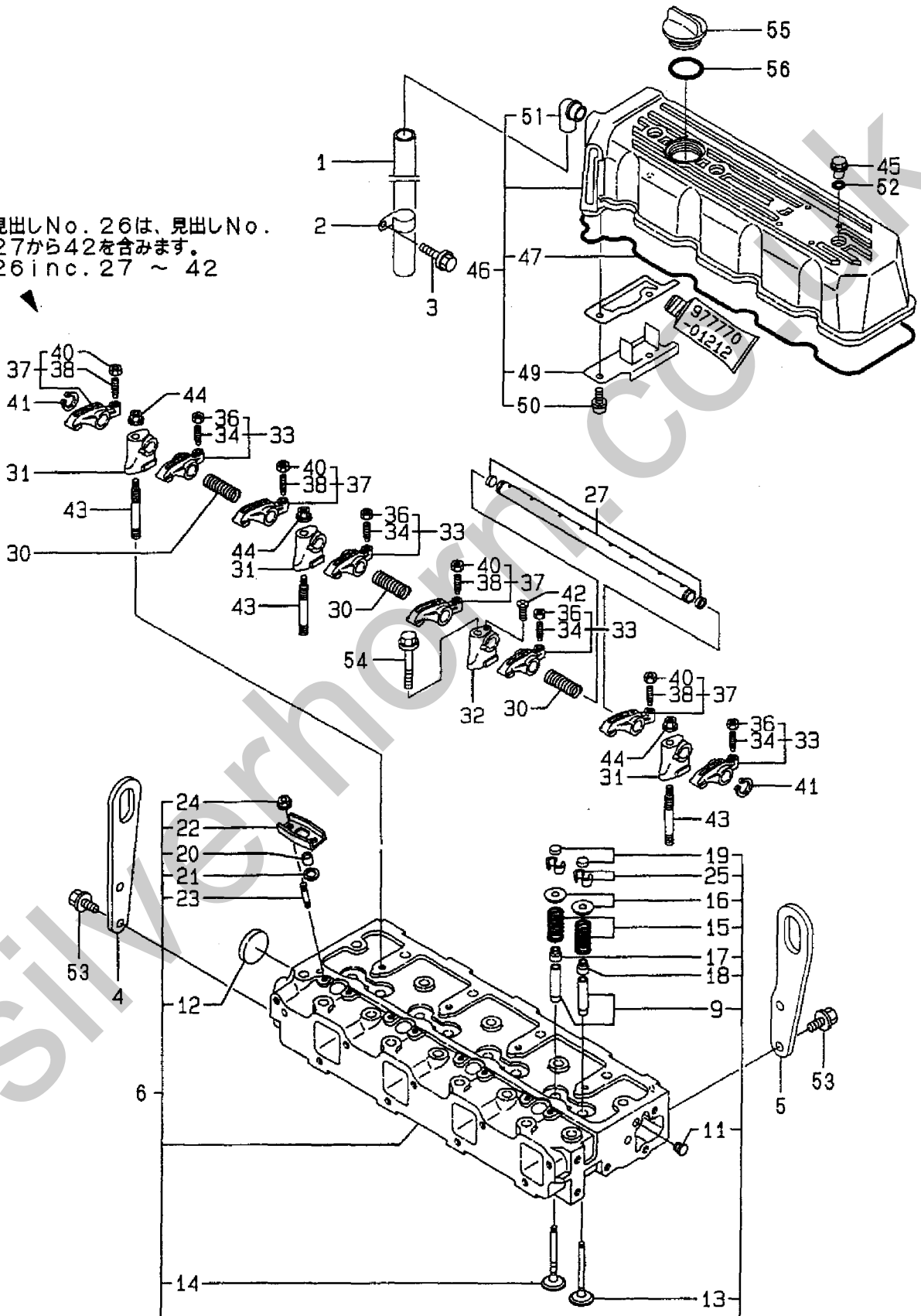
Fig. 3 フライホイールハウジング&オイルパン
FLYWHEEL HOUSING & LUB. OIL SUMP



1,1,,23065-160800,,PIPE,1,,,,,,,,,,,,,
1-1,1,,129953-03100,,,"HOSE, BREATHER",1,,,,,,N,,,E/#01834,,,,,
2,1,,129910-03100,,RETAINER,1,,,,,,,,,,,,,
3,1,,26106-080122,,,"BOLT M 8X 12 PLATED",1,,,,,,,,,,,,,
4,1,,129900-07900,,,"LIFTER, ENGINE",1,,,,,,,,,,,,,
4-1,1,,129910-07900,,,"LIFTER, ENGINE",1,,,,,,N,,,E/#02576,,,,,
5,1,,129953-07910,,,"LIFTER, ENGINE",1,,,,,,,,,,,,,
6,1,,729900-11100,,,"HEAD ASSY, CYLINDER",1,,,,,,,,,,,,,
9,2,,129150-11810,,,"GUIDE, VALVE",8,,,,,,1,,,,,
11,2,,23871-005000,,,"PLUG PT 1/16",1,,,,,,,,,,,,,
12,2,,27241-400000,,,"PLUG 40",1,,,,,,,,,,,,,
13,2,,129900-11100,,,"VALVE, SUCTION",4,,,,,,,,,,,,,
14,2,,129900-11110,,,"VALVE, EXHAUST",4,,,,,,,,,,,,,
15,2,,129900-11120,,,"SPRING, VALVE",8,,,,,,,,,,,,,
16,2,,129795-11180,,,"RETAINER, SPRING",8,,,,,,,,,,,,,
17,2,,121400-11340,,,"SEAL, VALVE STEM",4,,,,,,A,,,,,
18,2,,124460-11340,,,"SEAL, VALVE STEM",4,,,,,,A,,,,,
19,2,,129150-11370,,,"CAP, VALVE",8,,,,,,,,,,,,,
20,2,,119625-11870,,,"PROTECTOR, NOZZLE",4,,,,,,A,,,,,
21,2,,119625-11880,,,"SEAT, NOZZLE",4,,,,,,A,,,,,
22,2,,119625-11900,,RETAINER,4,,,,,,,,,,,,,
23,2,,26216-060202,,,"STUD M 6X 20 PLATED",8,,,,,,,,,,,,,
24,2,,26366-060002,,,"NUT M 6",8,,,,,,,,,,,,,
25,2,,27310-080001,,,"COTTER 8",8,,,,,,,,,,,,,
26,1,,129900-11200,,,"SUPPORT ASY,ROCK.ARM",1,,,,,,,,,,,,,
27,2,,129900-11240,,,"SHAFT ASSY,ROCK. ARM",1,,,,,,,,,,,,,
30,2,,129900-11280,,SPRING,3,,,,,,,,,,,,,
31,2,,129900-11510,,SUPPORT,3,,,,,,,,,,,,,
32,2,,129900-11520,,SUPPORT,1,,,,,,,,,,,,,
33,2,,129900-11650,,,"ARM KIT, SUC. ROCKER",4,,,,,,,,,,,,,
34,3,,129150-11230,,,"SCREW, VALVE",4,,,,,,,,,,,,,
36,3,,129150-11750,,,"NUT M8XP1.0",4,,,,,,,,,,,,,
37,2,,129900-11660,,,"ARM KIT, EXH. ROCKER",4,,,,,,,,,,,,,
38,3,,129150-11230,,,"SCREW, VALVE",4,,,,,,,,,,,,,
40,3,,129150-11750,,,"NUT M8XP1.0",4,,,,,,,,,,,,,
41,2,,22242-000180,,,"CIRCLIP 18",2,,,,,,,,,,,,,
42,2,,26577-040122,,,"SCREW M 4 X 12",1,,,,,,,,,,,,,
42-1,2,,26577-040162,,,"SCREW M 4X 16",1,,,,,,R,,,E/#02783,,,,,
43,1,,129900-11530,,,"STUD BOLT",3,,,,,,,,,,,,,
44,1,,26366-100002,,,"NUT M10",3,,,,,,,,,,,,,
45,1,,124160-11360,,KNOB,3,,,,,,,,,,,,,
46,1,,129900-11350,,,"BONNET ASSY",1,,,,,,,,,,,,,
47,2,,129900-11310,,,"GASKET, BONNET",1,,,,,,A,,,,,
49,2,,129900-11600,,PLATE,1,,,,,,,,,,,,,
50,2,,26022-050122,,,"SCREW M 5X 12",2,,,,,,,,,,,,,
50-1,2,,22857-500100,,,"SCREW 5X10,TAPPING",2,,,,,,N,,,EXXX,,,,,
51,2,,119100-11330,,,"JOINT, BREATHER",1,,,,,,,,,,,,,
52,1,,24311-000120,,,"O-RING 1A P 12.0",3,,,,,,A,,,,,
53,1,,26106-080162,,,"BOLT M 8X 16 PLATED",4,,,,,,,,,,,,,
54,1,,26106-100652,,,"BOLT M10X 65 PLATED",1,,,,,,,,,,,,,
55,1,,124160-01751,,,"CAP, LUB.OIL SUPPLY",1,,,,,,,,,,,,,
56,1,,24311-000320,,,"O-RING 1A P-32.0",1,,,,,,,,,,,,,

Fig. 4 シリンダヘッド&ボンネット
CYLINDER HEAD & BONNET

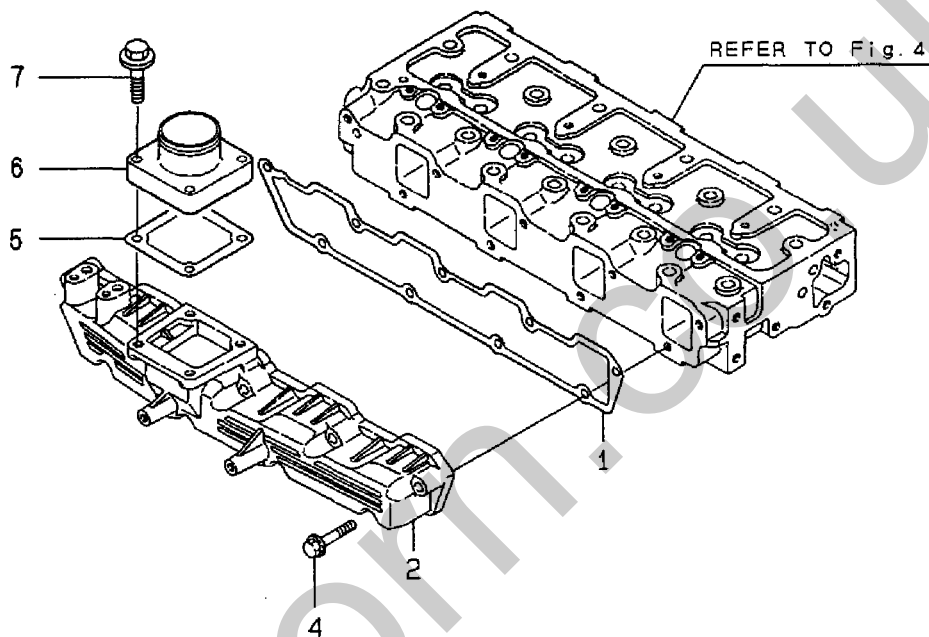
見出しNo. 26は、見出しNo.
27から42を含みます。
26 inc. 27 ~ 42



1,1,,129900-12050,, "GASKET, SUC.MANIFOLD",1,,,,,,,,A,,,,,,,,,
2,1,,129900-12100,, "MANIFOLD,INT",1,,,,,,,,,,,,,,,,,
4,1,,26106-080452,, "BOLT M 8X 45 PLATED",9,,,,,,,,,,,,,,,,,
5,1,,121850-77021,, "GASKET, (NON-ASB.)",1,,,,,,,,A,,,,,,,,,
6,1,,129915-77050,, "AIR HEATER",1,,,,,,,,,,,,,,,,,
7,1,,26106-080352,, "BOLT M 8X 35 PLATED",4,,,,,,,,,,,,,,,,,

Silverhorn.CO.UK

Fig. 5 吸気マニホールド
SUC. MANIFOLD

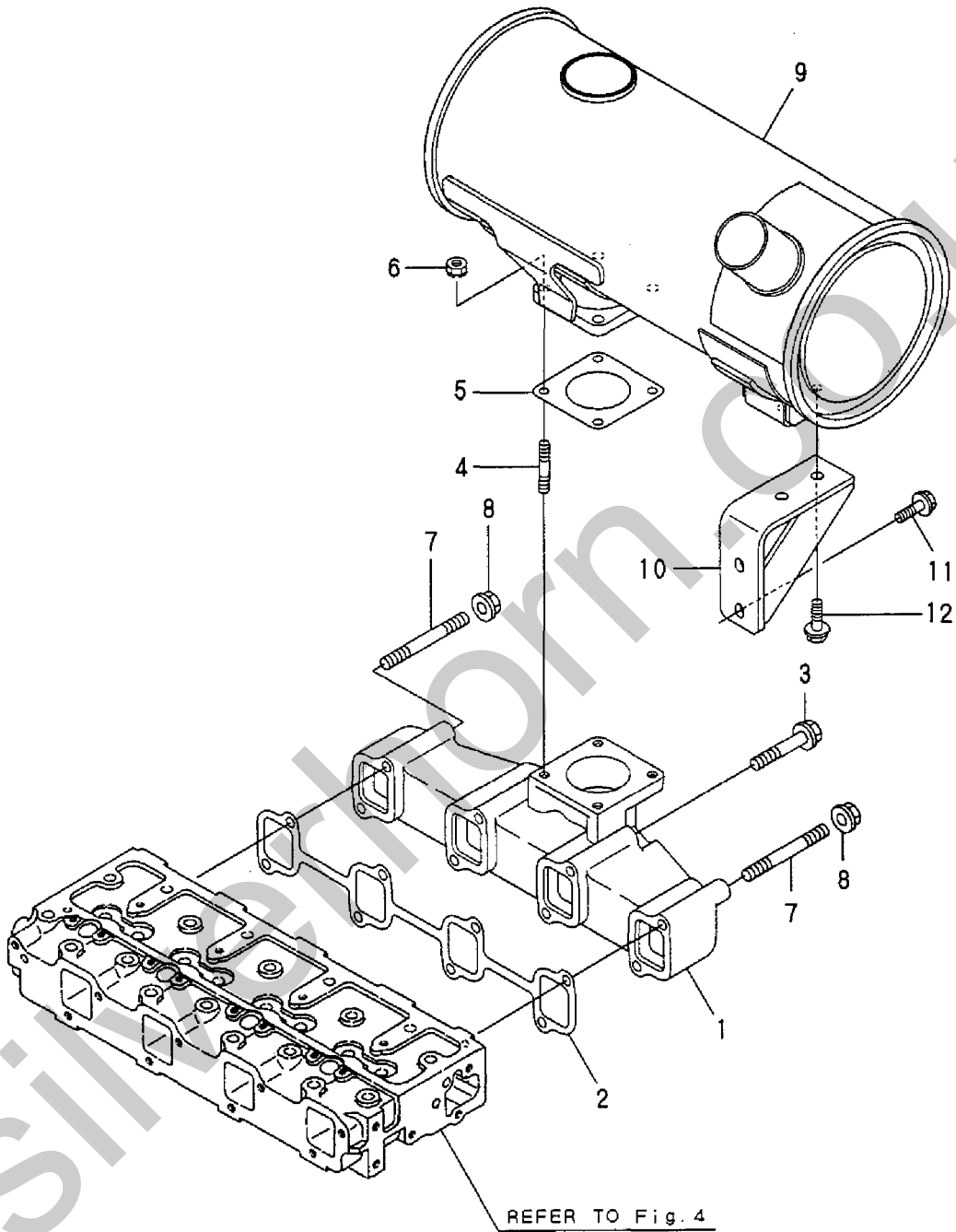


Silverhobby.com.uk

1,1,,129900-13200,, "MANIFOLD, EXHAUST",1,,,,,,,,,,,,,
2,1,,129900-13251,, GASKET,1,,,,,,,,,A,,,,,,,,,
3,1,,26106-080802,, "BOLT M 8X 80 PLATED",6,,,,,,,,,,,,,
4,1,,26216-080222,, "STUD M 8X 22 PLATED",4,,,,,,,,,,,,,
4-1,1,,119131-18320,, "BOLT M 8X 22",4,,,,,,,,,N,,,E/#02783,,,,,
5,1,,129400-13201,, "GASKET, (NON-ASB.)",1,,,,,,,,,A,,,,,,,,,
6,1,,26366-080002,, "NUT M 8",4,,,,,,,,,,,,,
7,1,,26216-080802,, "STUD M 8X 80 PLATED",2,,,,,,,,,,,,,
8,1,,26366-080002,, "NUT M 8",2,,,,,,,,,,,,,
9,1,,129953-13540,, SILENCER,1,,,,,,,,,,,,,
9-1,1,,129953-13500,, SILENCER,1,,,,,,,,,R,,, "E/# 06107",,,,,,
10,1,,129953-13650,, "STAY, SILENCER",1,,,,,,,,,,,,,
11,1,,26106-080162,, "BOLT M 8X 16 PLATED",2,,,,,,,,,,,,,
12,1,,26106-080202,, "BOLT M 8X 20 PLATED",2,,,,,,,,,,,,,

Silverhorn.CO.UK

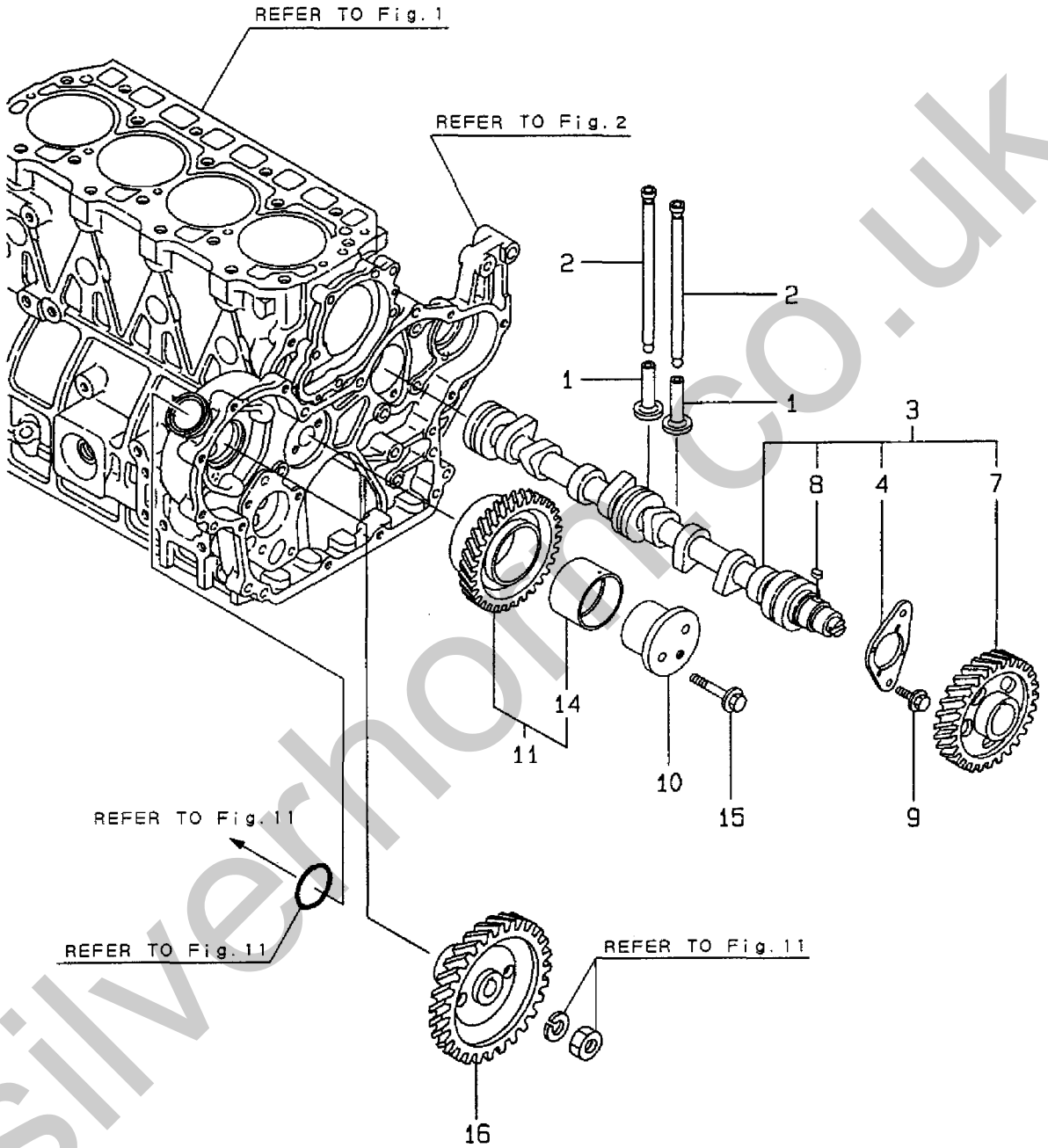
Fig. 6 排気マニホールド&サイレンサ
EXH. MANIFOLD & SILENCER



1,1,,129150-14200,,TAPPET,8,,,,,,,,,,,,,,,,,,,,,
2,1,,129900-14400,,,"ROD, PUSH",8,,,,,,,,,,,,,,,,,,,,,
3,1,,129900-14580,,,"CAMSHAFT ASSY",1,,,,,,,,,,,,,,,,,,,,,
4,2,,129150-02450,,,"METAL,THRUST",1,,,,,,,,,,,,,,,,,,,,,
7,2,,129900-14100,,,"GEAR, CAMSHAFT",1,,,,,,,,,,,,,,,,,,,,,
8,2,,22512-070140,,,"KEY 7X 14",1,,,,,,,,,,,,,,,,,,,,,
9,1,,26106-080162,,,"BOLT M 8X 16 PLATED",2,,,,,,,,,,,,,,,,,,,,,
10,1,,129900-25060,,,"SHAFT, IDLER",1,,,,,,,,,,,,,,,,,,,,,
11,1,,129900-25100,,,"GEAR ASSY, IDLE",1,,,,,,,,,,,,,,,,,,,,,
14,2,,129150-25920,,,"BUSH, IDLE GEAR",1,,,,,1,,,,,,,,,,,,,
15,1,,26106-080552,,,"BOLT M 8X 55 PLATED",2,,,,,,,,,,,,,,,,,,,,,
16,1,,129900-25900,,,"GEAR, FI-P",1,,,,,,,,,,,,,,,,,,,,,

Silverhorn.CO.UK

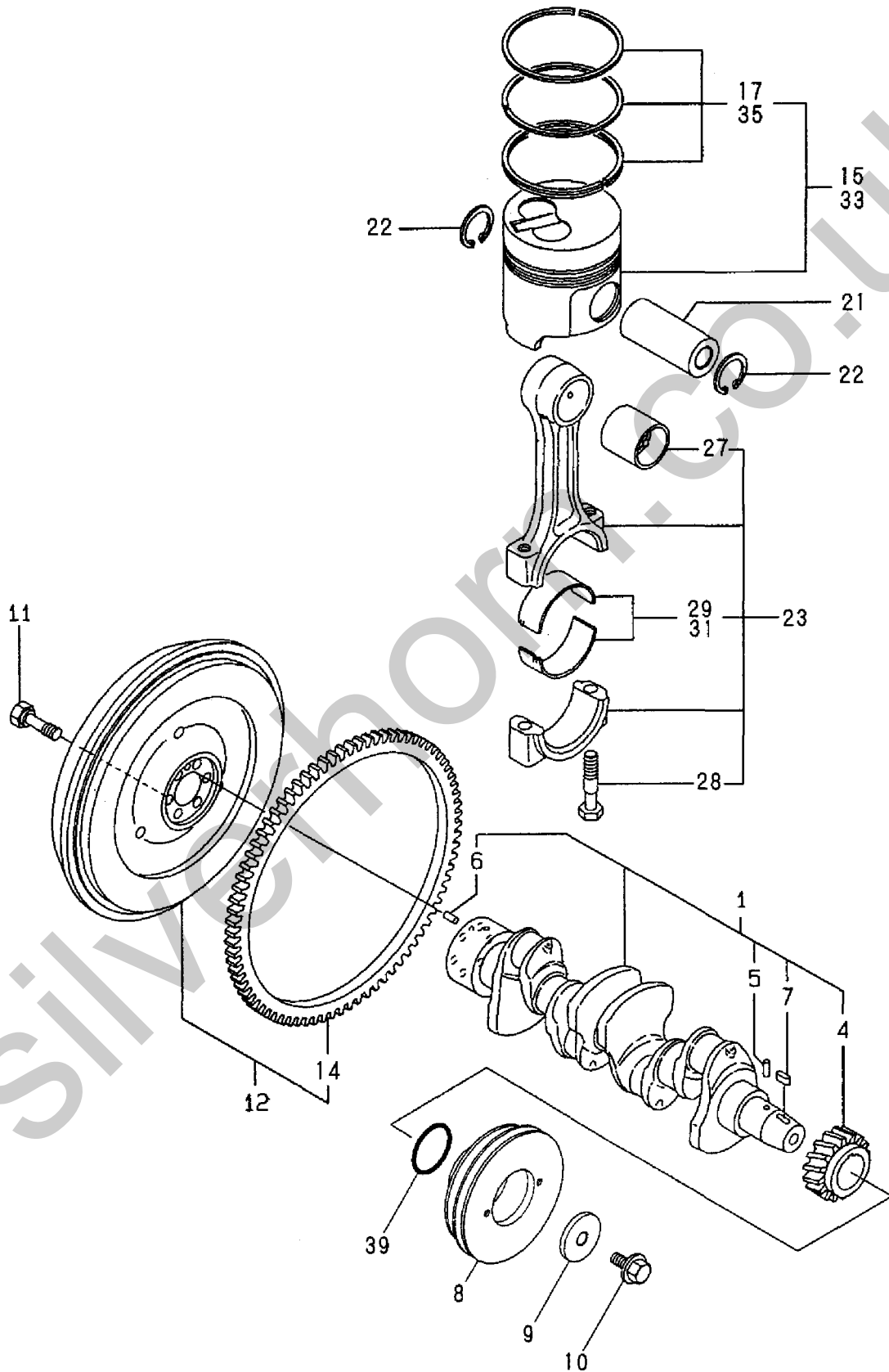
Fig. 7 カムシャフト & 駆動ギヤ CAMSHAFT & DRIVING GEAR



1,1,,129902-21000,, "CRANKSHAFT COMP",1,,,,,,,,,,,,,
 4,2,,129900-21200,, "GEAR, CRANKSHAFT",1,,,,,,,,,,,,,
 5,2,,121850-21290,, "PARALLEL PIN",1,,,,,,,,,,,,,
 6,2,,121850-21920,, "PARALLEL PIN 10X22",1,,,,,,,,,,,,,
 7,2,,22512-070140,, "KEY 7X 14",1,,,,,,,,,,,,,
 8,1,,129953-21610,, "V-PULLEY",1,,,,,,,,,,,,,
 9,1,,129960-21640,, "WASHER",1,,,,,,,,,,,,,
 10,1,,121850-21680,, "BOLT, V-PULLEY",1,,,,,,,,,,,,,
 11,1,,121850-21130,, "BOLT, FLYWHEEL",6,,,,,,,,,,,,,
 12,1,,129953-21581,, "FLYWHEEL ASSY",1,,,,,,,,,,,,,
 14,2,,129900-21600,, "GEAR, RING",1,,,,,,,,,,,,,
 15,1,,129902-22080,, "PISTON W/RING",4,,,,,,,,,,,,,
 17,2,,129903-22050,, "RING SET",4,,,,,,,,,,,,,
 21,1,,120130-22301,, "PIN, PISTON",4,,,,,,,,,,,,,
 22,1,,22252-000300,, "CIRCLIP 30",8,,,,,,,,,,,,,
 23,1,,129900-23000,, "ROD ASSY, CONNECTING",4,,,,,,,,,,,,,
 27,2,,129900-23910,, "BUSH, PISTON PIN",4,,,,,,,,,1,,,,,,,,,
 28,2,,129900-23200,, "BOLT, ROD",8,,,,,,,,,,,,,
 29,2,,129900-23600,, "METAL ASSY, CRANKPIN",4,,,,,,,,,,,,,
 31,1,,129900-23610,, "BEARING, PIN U.S=0.25",4,,,,,,,,,2,,,,,,,,,
 33,1,,129902-22900,, "PISTON W/RING O.S=25",4,,,,,,,,,3,,,,,,,,,
 35,2,,129903-22950,, "RING SET O.S=0.25",4,,,,,,,,,3,,,,,,,,,
 39,1,,24341-000530,, "O-RING 1A S-53.0",1,,,,,,,,,,,,,

Silverhorn.CO.UK

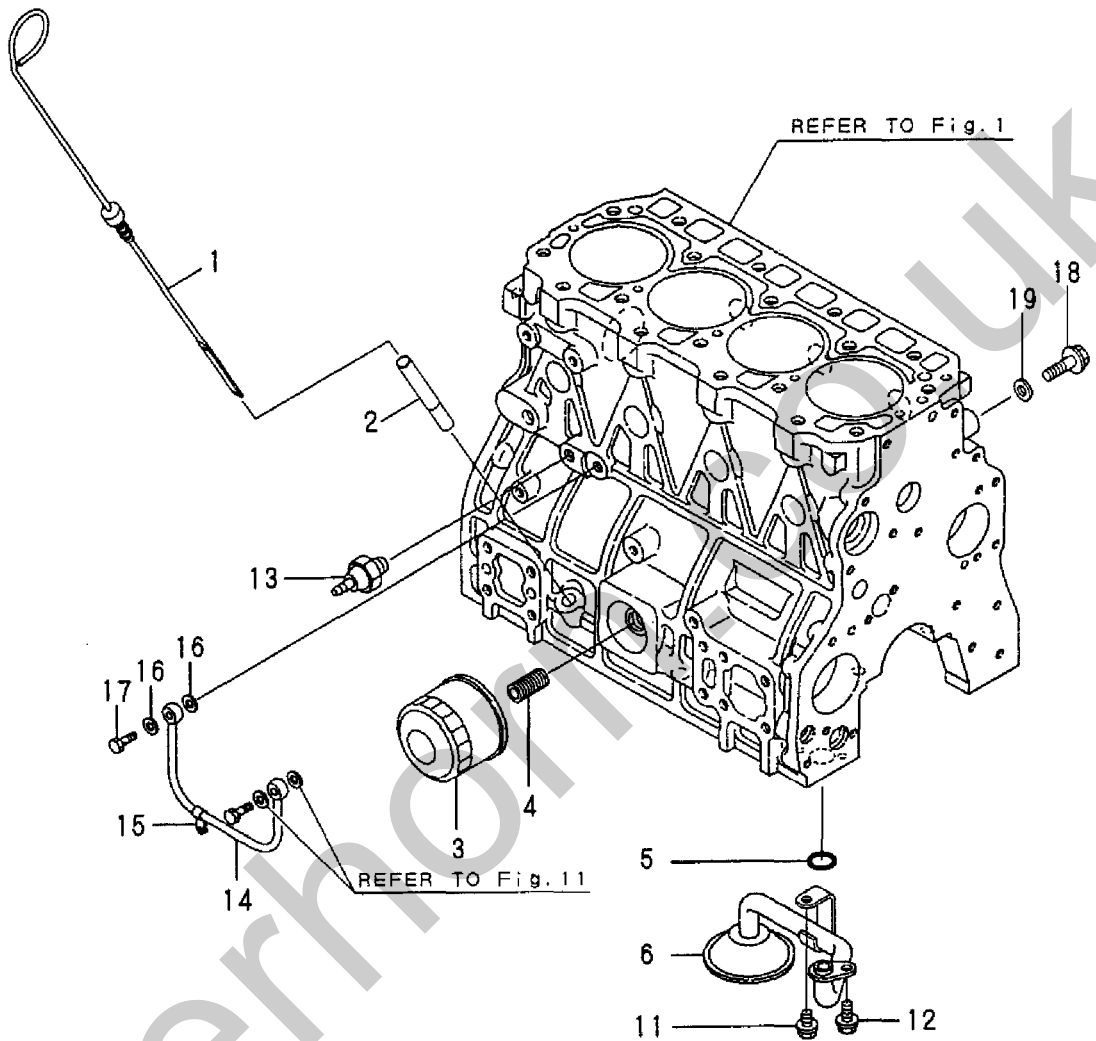
Fig. 8 クランクシャフト&ピストン
CRANKSHAFT & PISTON



1,1,,129953-34800,,DIPSTICK,1,,,,,,,,,,,,,,,,,
2,1,,121520-34810,, "GUIDE, DIPSTICK",1,,,,,,,,,,,,,,,,,
3,1,,129150-35151,, "FILTER 80X80L",1,,,,,,,,,,,,,,,,,
4,1,,119000-35140,, "STUD, LUB.OIL FILTER",1,,,,,,,,,,,,,,,,,
5,1,,129900-32030,, "O-RING P20",1,,,,,,,,,A,,,,,,,,,
6,1,,129900-35000,, "PIPE ASSY, LUB. OIL",1,,,,,,,,,,,,,,,,,
11,1,,26106-080122,, "BOLT M 8X 12 PLATED",1,,,,,,,,,,,,,,,,,
12,1,,26106-080162,, "BOLT M 8X 16 PLATED",1,,,,,,,,,,,,,,,,,
13,1,,124160-39450,, "SWITCH, OIL PRESSURE",1,,,,,,,,,,,,,,,,,
14,1,,129900-39350,, "PIPE, LUB. OIL",1,,,,,,,,,,,,,,,,,
15,1,,23297-060081,, "RETAINER 6X 8",1,,,,,,,,,,,,,,,,,
16,1,,23414-080000,, "GASKET 8, ROUND",2,,,,,,,,,,,,,,,,,
17,1,,23857-030000,, "JOINT BOLT 3",1,,,,,,,,,,,,,,,,,
18,1,,26106-080122,, "BOLT M 8X 12 PLATED",1,,,,,,,,,,,,,,,,,
19,1,,22190-080002,, "SEAL WASHER 8S",1,,,,,,,,,,,,,,,,,

Silverhorn.CO.UK

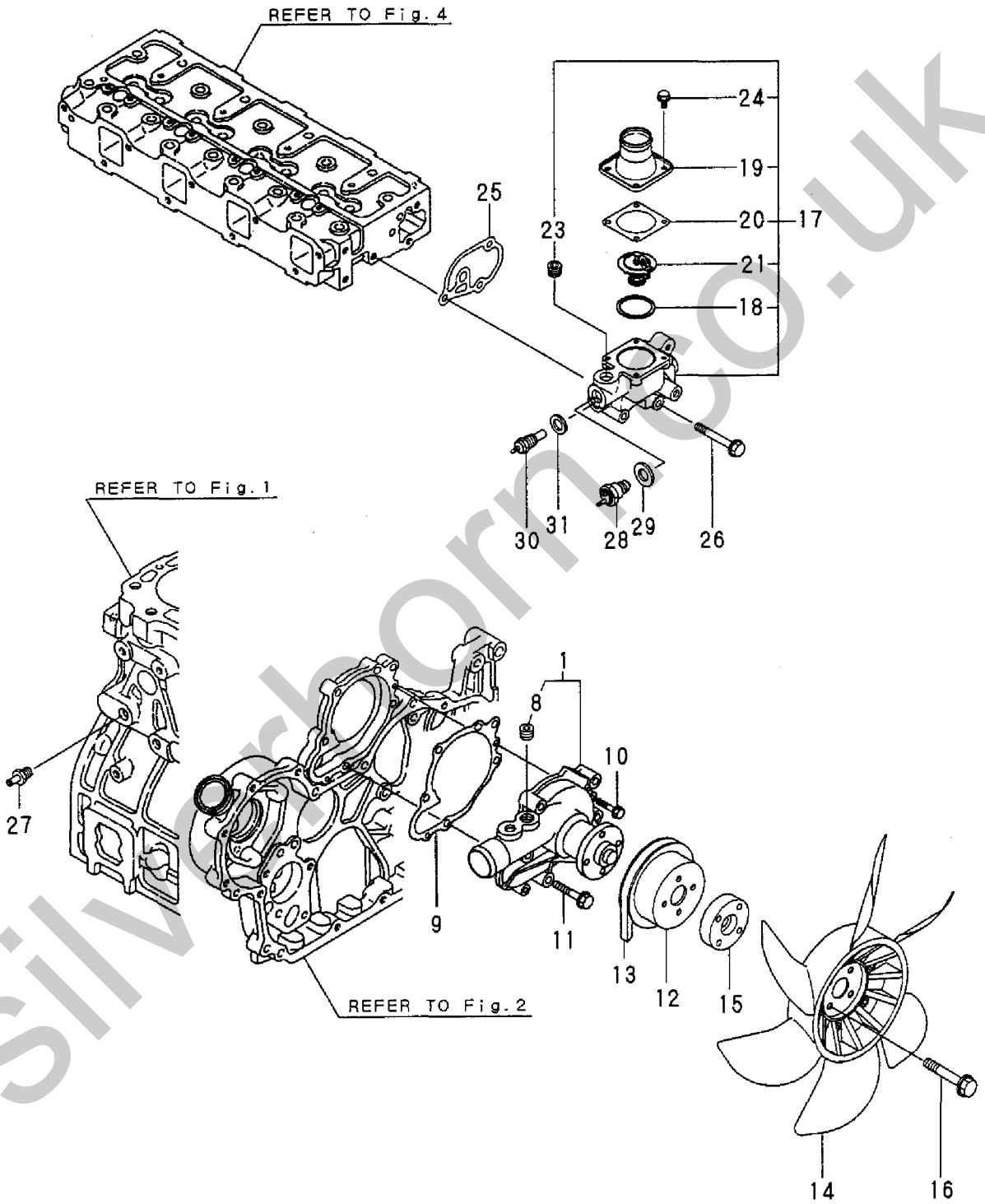
Fig. 9 潤滑油システム
LUB. OIL SYSTEM



1,1,,129900-42001,, "PUMP, COOLING WATER",1,,,,,,,,,,,,,
8,2,,23871-030000,, "PLUG PT3/8,SCREW",2,,,,,,,,,,,,,
8-1,2,,23876-030000,, "PLUG PT3/8,SCREW",2,,,,,,N,,,"E/# 06107",,,,,,,
9,1,,129900-42020,, "GASKET, CW-P",1,,,,,,A,,,,,,
10,1,,26106-060302,, "BOLT M 6X 30 PLATED",2,,,,,,,,,,,,,
11,1,,26106-080552,, "BOLT M 8X 55 PLATED",5,,,,,,,,,,,,,
12,1,,129953-42350,, "PULLEY, C.W. PUMP",1,,,,,,,,,,,,,
12-1,1,,129900-42461,, "PULLEY,1,,,,,,N,,,"E/#01461",,,,,,,
13,1,,25132-004250,, "V-BELT,LOW EDGE A42",1,,,,,,,,,,,,,
13-1,1,,25132-004200,, "V-BELT,LOW-EDGE A42",1,,,,,,N,,,"E/#01461",,,,,,,
14,1,,129900-44700,, "FAN,1,,,,,,,,,,,,,
15,1,,119130-44760,, "SPACER, FAN",1,,,,,,,,,,,,,
16,1,,26014-080352,, "BOLT M 8X 35",4,,,,,,,,,,,,,
17,1,,129900-49860,, "CASE, THERMOSTAT",1,,,,,,,,,,,,,
18,2,,121850-49550,, "GASKET, THERMOSTAT",1,,,,,,A,,,,,,
19,2,,121850-49530,, "COVER, THERMOSTAT",1,,,,,,,,,,,,,
20,2,,121850-49540,, "GASKET, THERMOSTAT",1,,,,,,A,,,,,,
21,2,,121850-49810,, "THERMOSTAT,1,,,,,,,,,,,,,
23,2,,23871-030000,, "PLUG PT3/8,SCREW",2,,,,,,,,,,,,,
23-1,2,,23876-030000,, "PLUG PT3/8,SCREW",2,,,,,,N,,,"E/# 06107",,,,,,,
24,2,,26106-060142,, "BOLT M 6X 14 PLATED",4,,,,,,,,,,,,,
25,1,,129900-49870,, "GASKET, CASE",1,,,,,,A,,,,,,
26,1,,26106-080602,, "BOLT M 8X 60 PLATED",3,,,,,,,,,,,,,
27,1,,121550-49111,, "JOINT PT1/4",1,,,,,,,,,,,,,
28,1,,121250-44901,, "SWITCH, THERMO(110fC",1,,,,,,,,,,,,,
29,1,,124465-44950,, "GASKET 16",1,,,,,,A,,,,,,
30,1,,171056-49351,, "SENER,1,,,,,,,,,,,,,
31,1,,129150-49360,, "GASKET 10",1,,,,,,A,,,,,,



Fig. 10 冷却水システム
COOLING WATER SYSTEM

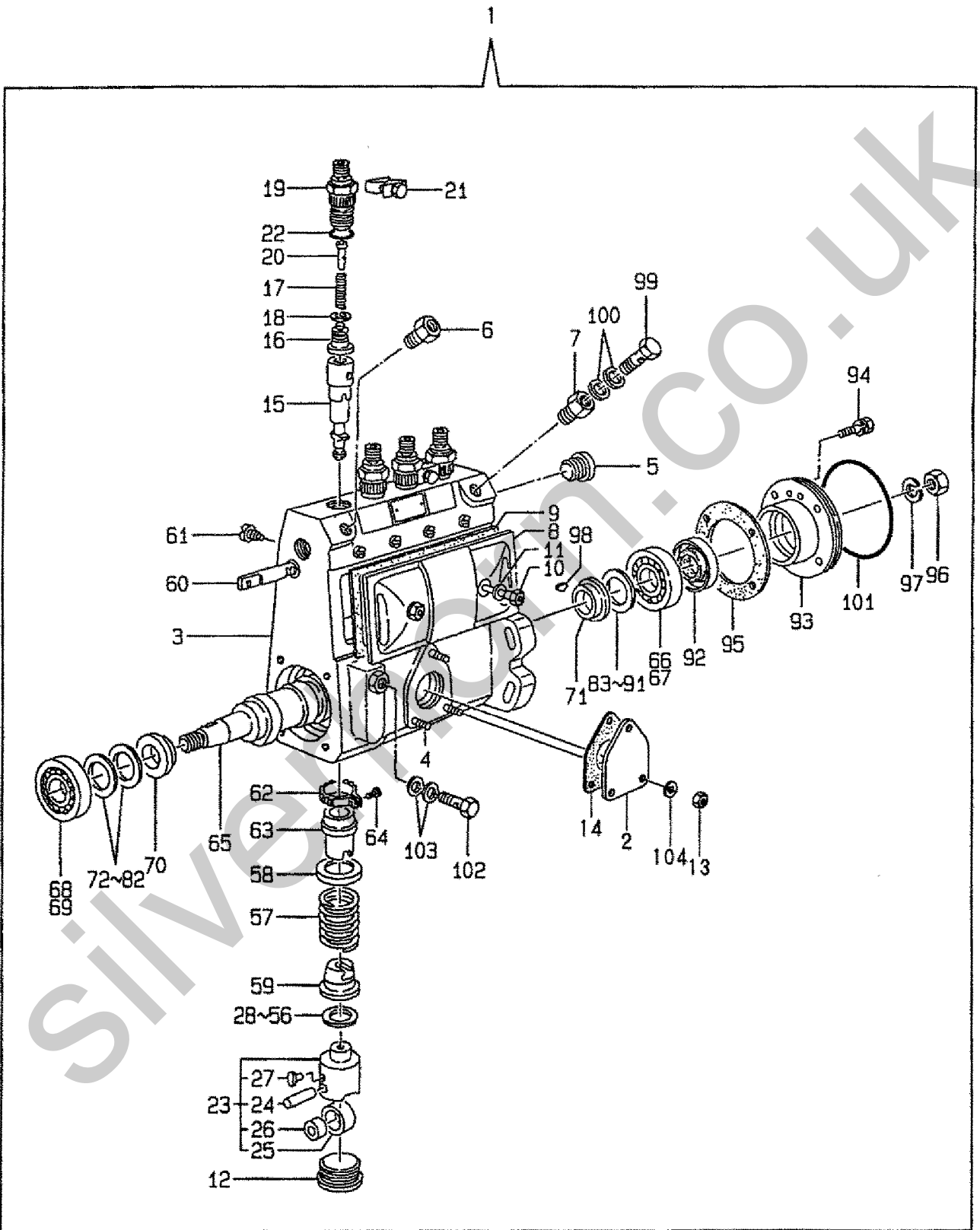


1,1,,129953-51000,, "FUEL INJECTION PUMP",1,,,,,,,,1,,,,,,,,,
2,2,,X1310400200,,COVER,1,,,,,,,,,,,,,,,,,
3,2,,X1310641621,, "FLANGED HOUSING",1,,,,,,,,,,,,,,,,,
4,2,,X0290406020,,STUD,3,,,,,,,,,,,,,,,,,
5,2,,X1340260000,,PLUG,1,,,,,,,,,,,,,,,,,
6,2,,X1310022000,,CAP,1,,,,,,,,,,,,,,,,,
7,2,,X1310022000,,CAP,1,,,,,,,,,,,,,,,,,
8,2,,X1310286220,,COVER,1,,,,,,,,,,,,,,,,,
9,2,,X1310111900,,GASKET,1,,,,,,,,,,,,,,,,,
10,2,,X1310171000,,SCREW,2,,,,,,,,,,,,,,,,,
11,2,,X0293406020,,GASKET,2,,,,,,,,,,,,,,,,,
12,2,,X1310341401,,PLUG,4,,,,,,,,,,,,,,,,,
13,2,,X0130206040,,NUT,3,,,,,,,,,,,,,,,,,
14,2,,X1310410800,,GASKET,1,,,,,,,,,,,,,,,,,
15,2,,X1311523420,,PLUNGER,4,,,,,,,,,,,,,,,,,
16,2,,X1311607920,, "DELIVERY VALVE",4,,,,,,,,,,,,,,,,,
17,2,,X1311123500,,SPRING,4,,,,,,,,,,,,,,,,,
18,2,,X1311151600,,GASKET,4,,,,,,,,,,,,,,,,,
19,2,,X1311167600,,HOLDER,4,,,,,,,,,,,,,,,,,
20,2,,X1311172300,,STOPPER,4,,,,,,,,,,,,,,,,,
21,2,,X1311220520,,PLATE,2,,,,,,,,,,,,,,,,,
22,2,,X0296320030,,O-RING,4,,,,,,,,,,,,,,,,,
23,2,,X1312000220,,TAPPET,4,,,,,,,,,,,,,,,,,
24,3,,X1312030200,,PIN,4,,,,,,,,,,,,,,,,,
25,3,,X1312041000,,ROLLER,4,,,,,,,,,,,,,,,,,
26,3,,X1312050500,,BUSH,4,,,,,,,,,,,,,,,,,
27,3,,X1312060200,,GUIDE,4,,,,,,,,,,,,,,,,,
28,2,,X0293110020,,SHIM,1,,,,,,,,,,,,,,,,,
29,2,,X0293110030,,SHIM,1,,,,,,,,,,,,,,,,,
30,2,,X0293110040,,SHIM,1,,,,,,,,,,,,,,,,,
31,2,,X0293110050,,SHIM,1,,,,,,,,,,,,,,,,,
32,2,,X0293110060,,SHIM,1,,,,,,,,,,,,,,,,,
33,2,,X0293110070,,SHIM,1,,,,,,,,,,,,,,,,,
34,2,,X0293110080,,SHIM,1,,,,,,,,,,,,,,,,,
35,2,,X0293110090,,SHIM,1,,,,,,,,,,,,,,,,,
36,2,,X0293110110,,SHIM,1,,,,,,,,,,,,,,,,,
37,2,,X0293110120,,SHIM,1,,,,,,,,,,,,,,,,,
38,2,,X0293110130,,SHIM,1,,,,,,,,,,,,,,,,,
39,2,,X0293110140,,SHIM,1,,,,,,,,,,,,,,,,,
40,2,,X0293110270,,SHIM,1,,,,,,,,,,,,,,,,,
41,2,,X0293110280,,SHIM,1,,,,,,,,,,,,,,,,,
42,2,,X0293110290,,SHIM,1,,,,,,,,,,,,,,,,,
43,2,,X0293110310,,SHIM,1,,,,,,,,,,,,,,,,,
44,2,,X0293110320,,SHIM,1,,,,,,,,,,,,,,,,,
45,2,,X0293110330,,SHIM,1,,,,,,,,,,,,,,,,,
46,2,,X0293110340,,SHIM,1,,,,,,,,,,,,,,,,,
47,2,,X0293110350,,SHIM,1,,,,,,,,,,,,,,,,,
48,2,,X0293110490,,SHIM,1,,,,,,,,,,,,,,,,,
49,2,,X0293110500,,SHIM,1,,,,,,,,,,,,,,,,,
50,2,,X0293110580,,SHIM,1,,,,,,,,,,,,,,,,,
51,2,,X0293110590,,SHIM,1,,,,,,,,,,,,,,,,,
52,2,,X0293110600,,SHIM,1,,,,,,,,,,,,,,,,,
53,2,,X0293110610,,SHIM,1,,,,,,,,,,,,,,,,,
54,2,,X0293110620,,SHIM,1,,,,,,,,,,,,,,,,,
55,2,,X0293110630,,SHIM,1,,,,,,,,,,,,,,,,,
56,2,,X0293110710,,SHIM,1,,,,,,,,,,,,,,,,,
57,2,,X1312152500,,SPRING,4,,,,,,,,,,,,,,,,,
58,2,,X1312160100,, "SEAT, SPRING",4,,,,,,,,,,,,,,,,,
59,2,,X1312170200,, "SEAT, SPRING",4,,,,,,,,,,,,,,,,,
60,2,,X1312540600,, "RACK, CONTROL",1,,,,,,,,,,,,,,,,,
61,2,,X1312260300,,SCREW,1,,,,,,,,,,,,,,,,,
62,2,,X1312400100,,PINION,4,,,,,,,,,,,,,,,,,
63,2,,X1312410100,, "SLEEVE, CONTROL",4,,,,,,,,,,,,,,,,,

64,2,,X1312420100,,SCREW,4,,,,,,,,,,,,,
65,2,,X1313612700,,CAMSHAFT,1,,,,,,,,,,,,,
66,2,,X0166402030,,BEARING,1,,,,,,,,,,,,,
67,2,,X0282020020,,BEARING,1,,,,,,,,,,,,,
68,2,,X0166302030,,BEARING,1,,,,,,,,,,,,,
69,2,,X0282017020,,BEARING,1,,,,,,,,,,,,,
70,2,,X1313020300,,RING,1,,,,,,,,,,,,,
71,2,,X1313021000,,RING,1,,,,,,,,,,,,,
72,2,,X0293117010,,SHIM,1,,,,,,,,,,,,,
73,2,,X0293117020,,SHIM,1,,,,,,,,,,,,,
74,2,,X0293117030,,SHIM,1,,,,,,,,,,,,,
75,2,,X0293117040,,SHIM,1,,,,,,,,,,,,,
76,2,,X0293117050,,SHIM,1,,,,,,,,,,,,,
77,2,,X0293117060,,SHIM,1,,,,,,,,,,,,,
78,2,,X0293117070,,SHIM,1,,,,,,,,,,,,,
79,2,,X0293117090,,SHIM,1,,,,,,,,,,,,,
80,2,,X0293117210,,SHIM,1,,,,,,,,,,,,,
81,2,,X0293117220,,SHIM,1,,,,,,,,,,,,,
82,2,,X1394170000,,SHIM,1,,,,,,,,,,,,,
83,2,,X0293120220,,SHIM,1,,,,,,,,,,,,,
84,2,,X0293120230,,SHIM,1,,,,,,,,,,,,,
85,2,,X0293120240,,SHIM,1,,,,,,,,,,,,,
86,2,,X0293120250,,SHIM,1,,,,,,,,,,,,,
87,2,,X0293120260,,SHIM,1,,,,,,,,,,,,,
88,2,,X0293120270,,SHIM,1,,,,,,,,,,,,,
89,2,,X0293120290,,SHIM,1,,,,,,,,,,,,,
90,2,,X0293120300,,SHIM,1,,,,,,,,,,,,,
91,2,,X1394200400,,SHIM,1,,,,,,,,,,,,,
92,2,,X0296220190,, "SEAL, OIL",1,,,,,,,,,,,,,
93,2,,X1313301800,,COVER,1,,,,,,,,,,,,,
94,2,,X0200062040,,BOLT,4,,,,,,,,,,,,,
95,2,,X1313211900,,GASKET,1,,,,,,,,,,,,,
96,2,,X0131214140,,NUT,1,,,,,,,,,,,,,
97,2,,X0293214010,, "SPRING WASHER",1,,,,,,,,,,,,,
98,2,,X0294704030,, "WOODRUFF KEY",1,,,,,,,,,,,,,
99,2,,X0297314680,, "EYE BOLT",1,,,,,,,,,,,,,
100,2,,X0265141840,,GASKET,2,,,,,,,,,,,,,
101,2,,X0296375020,,O-RING,1,,,,,,,,,,,,,
102,2,,X0297310120,, "EYE BOLT",1,,,,,,,,,,,,,
103,2,,X0265101340,,GASKET,2,,,,,,,,,,,,,
104,2,,X0141106440,, "SPRING WASHER",1,,,,,,,,,,,,,



Fig. 11 燃料噴射ポンプ FUEL INJECTION PUMP

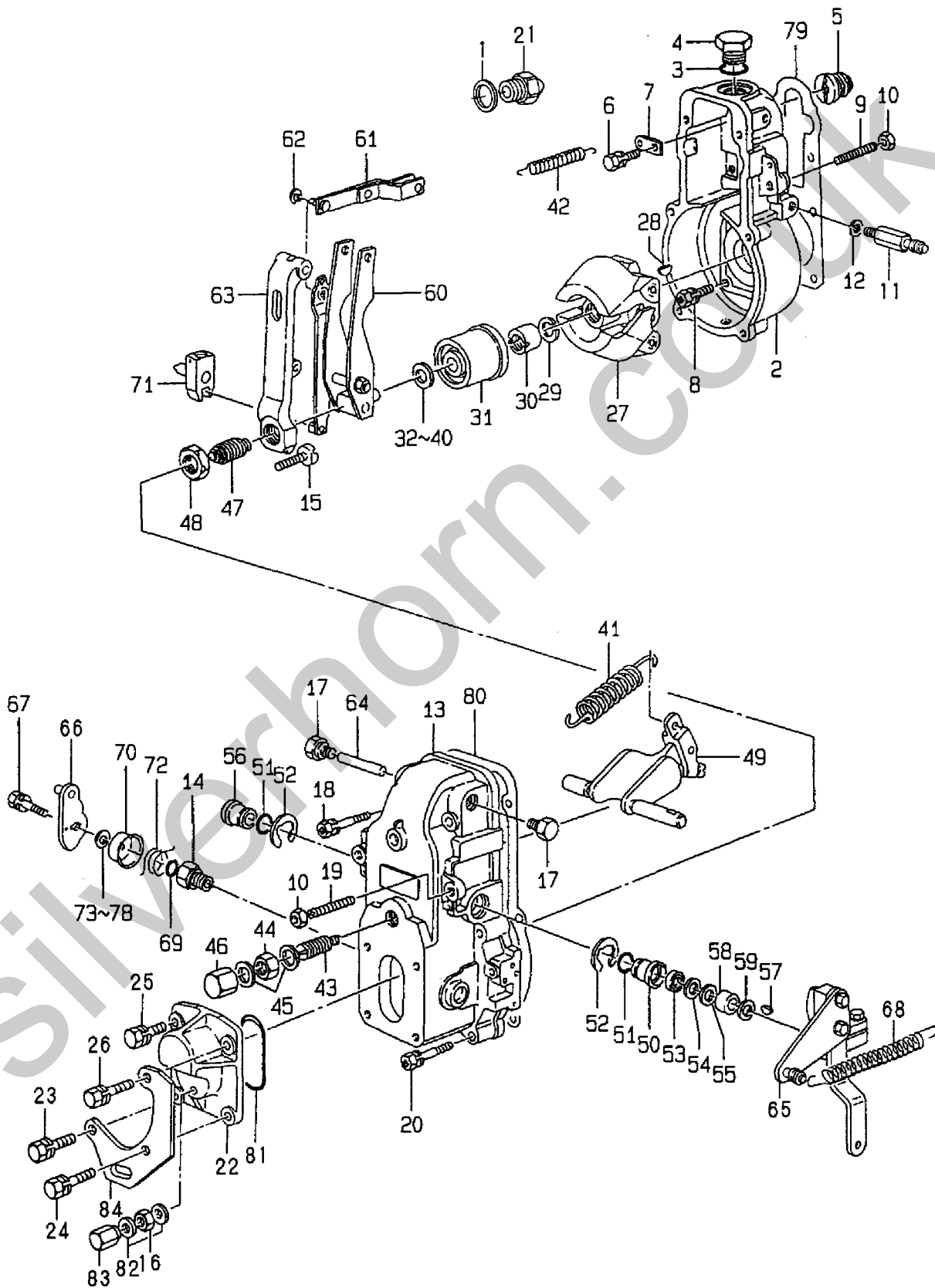


1,2,,X0265182240,,GASKET,1,,,,,,,,,,,,,
2,2,,X1540006400,, "FLANGED HOUSING",1,,,,,,,,,,,,,
3,2,,X0296325070,,O-RING,1,,,,,,,,,,,,,
4,2,,X1540072900,,PLUG,1,,,,,,,,,,,,,
5,2,,X1540070200,,ADAPTOR,1,,,,,,,,,,,,,
6,2,,X0200181840,,BOLT,1,,,,,,,,,,,,,
7,2,,X1543501900,,PLATE,1,,,,,,,,,,,,,
8,2,,X0290106810,,BOLT,6,,,,,,,,,,,,,
9,2,,X1540100100,,SCREW,1,,,,,,,,,,,,,
10,2,,X1540110100,,NUT,2,,,,,,,,,,,,,
11,2,,X1540132320,,BOLT,1,,,,,,,,,,,,,
12,2,,X0141108440,, "SPRING WASHER",1,,,,,,,,,,,,,
13,2,,X1545001020,,COVER,1,,,,,,,,,,,,,
14,2,,X1543210400,,BUSH,1,,,,,,,,,,,,,
15,2,,X1540313000,,SCREW,1,,,,,,,,,,,,,
16,2,,X1392060600,,NUT,1,,,,,,,,,,,,,
17,2,,X1540360300,,PLUG,2,,,,,,,,,,,,,
18,2,,X0201065040,,BOLT,2,,,,,,,,,,,,,
19,2,,X1540100100,,SCREW,1,,,,,,,,,,,,,
20,2,,X0201063840,,BOLT,4,,,,,,,,,,,,,
21,2,,X1554045120,,LIMITER,1,,,,,,,,,,,,,
22,2,,X1540635100,,COVER,1,,,,,,,,,,,,,
23,2,,X0290206260,,BOLT,1,,,,,,,,,,,,,
24,2,,X0290206260,,BOLT,1,,,,,,,,,,,,,
25,2,,X0200062040,,BOLT,1,,,,,,,,,,,,,
26,2,,X0200061640,,BOLT,1,,,,,,,,,,,,,
27,2,,X1541010020,, "FLYWAIGHT ASSY.",1,,,,,,,,,,,,,
28,2,,X0258031610,, "WOODRUFF KEY",1,,,,,,,,,,,,,
29,2,,X0293212020,, "SPRING WASHER",1,,,,,,,,,,,,,
30,2,,X0292312030,,NUT,1,,,,,,,,,,,,,
31,2,,X1541230120,,SLEEVE,1,,,,,,,,,,,,,
32,2,,X0293110010,,SHIM,1,,,,,,,,,,,,,
33,2,,X0293110180,,SHIM,1,,,,,,,,,,,,,
34,2,,X0293110190,,SHIM,1,,,,,,,,,,,,,
35,2,,X0293110210,,SHIM,1,,,,,,,,,,,,,
36,2,,X1394100000,,SHIM,1,,,,,,,,,,,,,
37,2,,X1394100100,,SHIM,1,,,,,,,,,,,,,
38,2,,X1394103000,,SHIM,1,,,,,,,,,,,,,
39,2,,X1394103100,,SHIM,1,,,,,,,,,,,,,
40,2,,X1394103200,,SHIM,1,,,,,,,,,,,,,
41,2,,X1541502900,,SPRING,1,,,,,,,,,,,,,
42,2,,X1541540701,,SPRING,1,,,,,,,,,,,,,
43,2,,X1541581220,, "CAPSULE, SPRING",1,,,,,,,,,,,,,
44,2,,X1540111700,,NUT,1,,,,,,,,,,,,,
45,2,,X0265121540,,GASKET,2,,,,,,,,,,,,,
46,2,,X1541591200,, "NUT, CAP",1,,,,,,,,,,,,,
47,2,,X1541771220,,SPRING,1,,,,,,,,,,,,,
48,2,,X0292016010,,NUT,1,,,,,,,,,,,,,
49,2,,X1542006920,,LEVER,1,,,,,,,,,,,,,
50,2,,X1542043000,,BUSH,1,,,,,,,,,,,,,
51,2,,X0296318020,,O-RING,2,,,,,,,,,,,,,
52,2,,X0160101640,, "RING, SNAP",2,,,,,,,,,,,,,
53,2,,X1396110000,, "SEAL, OIL",1,,,,,,,,,,,,,
54,2,,X1394110000,,SHIM,1,,,,,,,,,,,,,
55,2,,X0293111070,,SHIM,1,,,,,,,,,,,,,
56,2,,X1542043100,,BUSH,1,,,,,,,,,,,,,
57,2,,X0258031310,, "WOODRUFF KEY",1,,,,,,,,,,,,,
58,2,,X1542062800,,COLLAR,1,,,,,,,,,,,,,
59,2,,X1542060200,,WASHER,1,,,,,,,,,,,,,
60,2,,X1542163820,, "LEVER ASSY, GUIDE",1,,,,,,,,,,,,,
61,2,,X1542303920,,LINK,1,,,,,,,,,,,,,
62,2,,X0160100540,, "RING, SNAP",1,,,,,,,,,,,,,
63,2,,X1542364100,, "LEVER, TENSION",1,,,,,,,,,,,,,

64,2,,X1542370100,,PIN,1,,,,,,,,,,,,,
65,2,,X1543960320,,LEVER,1,,,,,,,,,,,,,
66,2,,X1543826020,,LEVER,1,,,,,,,,,,,,,
67,2,,X0200061640,,BOLT,1,,,,,,,,,,,,,
68,2,,X1543142600,,SPRING,1,,,,,,,,,,,,,
69,2,,X0296310030,,O-RING,1,,,,,,,,,,,,,
70,2,,X1543220100,,CAP,1,,,,,,,,,,,,,
71,2,,X1543265020,, "LEVER ASSY",1,,,,,,,,,,,,,
72,2,,X1543277600,,SPRING,1,,,,,,,,,,,,,
73,2,,X0293110520,,SHIM,1,,,,,,,,,,,,,
74,2,,X0293110530,,SHIM,1,,,,,,,,,,,,,
75,2,,X0293110540,,SHIM,1,,,,,,,,,,,,,
76,2,,X0293110550,,SHIM,1,,,,,,,,,,,,,
77,2,,X0293110560,,SHIM,1,,,,,,,,,,,,,
78,2,,X0293110570,,SHIM,1,,,,,,,,,,,,,
79,2,,X1543507700,,GASKET,1,,,,,,,,,,,,,
80,2,,X1543507800,,GASKET,1,,,,,,,,,,,,,
81,2,,X0296352020,,O-RING,1,,,,,,,,,,,,,
82,2,,X0265061040,,GASKET,2,,,,,,,,,,,,,
83,2,,X1540351600,, "CAP NUT",1,,,,,,,,,,,,,
84,2,,X1543587200,,BRACKET,1,,,,,,,,,,,,,

Silverhorn.CO.UK

Fig. 12 ガバナ GOVERNOR



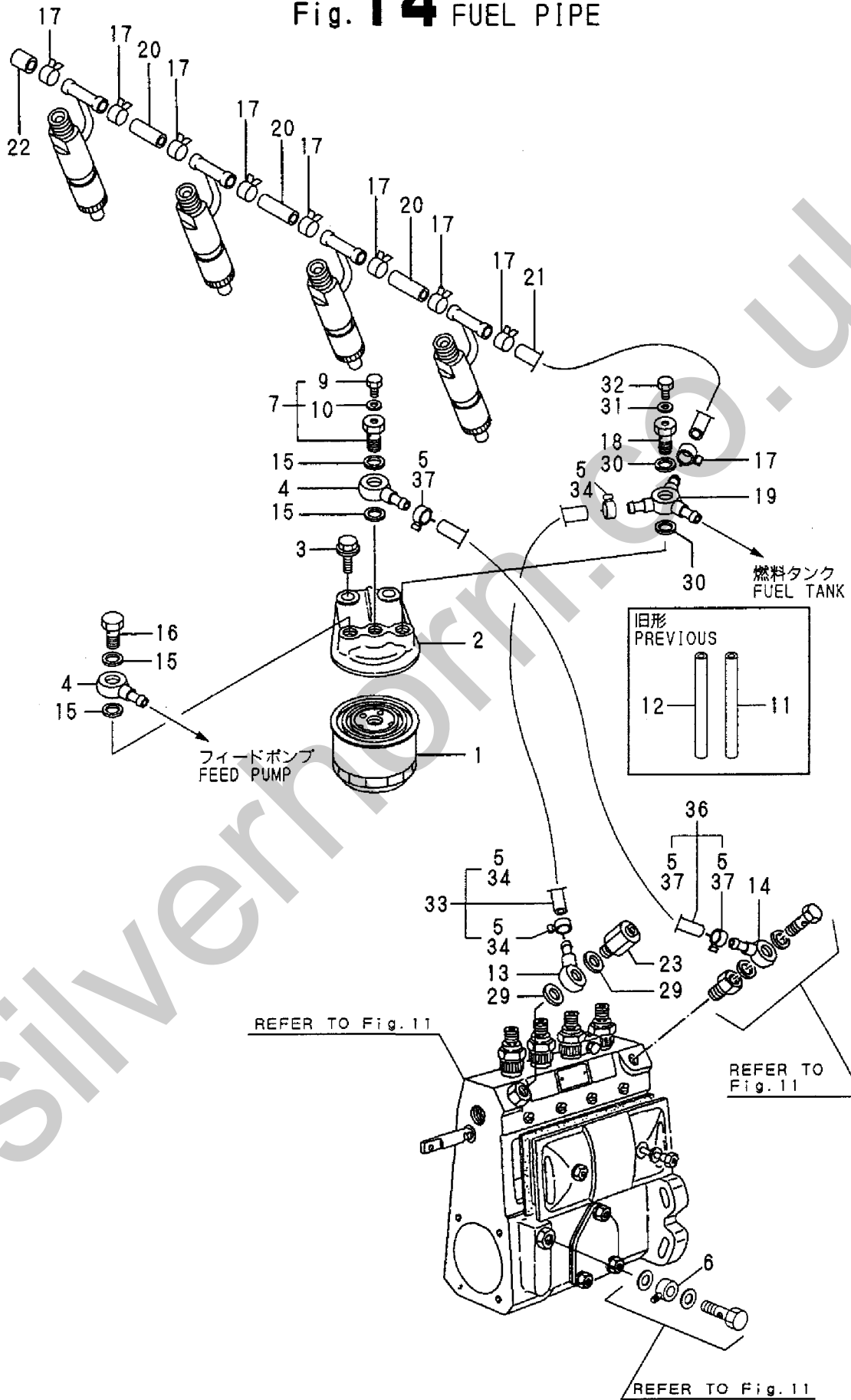
1,1,,129900-01950,,BRACKET,1,,,,,,,,,,,,,
2,1,,26106-100142,, "BOLT M10X 14 PLATED",1,,,,,,,,,,,,,
3,1,,26106-080202,, "BOLT M 8X 20 PLATED",1,,,,,,,,,,,,,
4,1,,729902-53100,, "VALVE, FUEL",4,,,,,,,,,,,,,
5,2,,129902-53000,,NOZZLE,4,,,,,,,,,,,,,
8,2,,114250-53080,, "NUT, NOZZLE CASE",4,,,,,,,,,,,,,
9,2,,129100-53100,, "HOLDER ASSY, NOZZLE",4,,,,,,,,,,,,,
12,2,,114250-53120,, "SPRING, NOZZLE",4,,,,,,,,,,,,,
13,2,,114250-53130,, "SEAT, NOZZLE SPRING",4,,,,,,,,,,,,,
14,2,,114250-53140,, "PLATE, STOP",4,,,,,,,,,,,,,
15,2,,114250-53210,,PIN,8,,,,,,,,,,,,,
16,2,,114250-53400,, "SHIM PACK",4,,,,,,,,,,,,,
23,1,,119305-59120,,RETAINER,2,,,,,,,,,,,,,
26,2,,129150-59131,, "BOLT M4X14,HEX.SCKT.",2,,,,,,,,,,,,,
27,1,,129550-59120,,RETAINER,1,,,,,,,,,,,,,
30,2,,129150-59131,, "BOLT M4X14,HEX.SCKT.",2,,,,,,,,,,,,,
31,1,,129902-59810,, "PIPE NO.1, F.INJECT.",1,,,,,,,,,,,,,
35,1,,129902-59820,, "PIPE NO.2, F.INJECT.",1,,,,,,,,,,,,,
39,1,,129902-59830,, "PIPE NO.3, F.INJECT.",1,,,,,,,,,,,,,
43,1,,129902-59840,, "PIPE NO.4, F.INJECT.",1,,,,,,,,,,,,,

Silverhorn.CO.UK

1,1,,119000-55600,, "FILTER, FUEL",1,,,,,,,,,,,,,,,,,,,,,
2,1,,129470-55610,, "BODY, FUEL FILTER",1,,,,,,,,,,,,,,,,,,,,,
3,1,,26106-100252,, "BOLT M10X 25 PLATED",2,,,,,,,,,,,,,,,,,,,,,
4,1,,101304-59020,, "JOINT 12, PIPE",2,,,,,,,,,,,,,,,,,,,,,
5,1,,124766-59050,, "CLAMP 12",4,,,,,,Z,, "E/# 04051",,,,,,,,,,
6,1,,121855-59880,, "JOINT",1,,,,,,,,,,,,,,,,,,,,,
7,1,,103854-59191,, "BOLT W/PLUG & SEAL",1,,,,,,,,,,,,,,,,,,,,,
9,2,,124060-59380,, "PLUG",1,,,,,,,,,,,,,,,,,,,,,
10,2,,22190-060002,, "SEAL WASHER 6S",1,,,,,,,,,,,,,,,,,,,,,
11,1,,105225-59511,, "PIPE, FUEL OIL",1,,,,,,Z,, "E/# 04051",,,,,,,,,,
12,1,,105025-59560,, "PIPE, FUEL OIL",1,,,,,,Z,, "E/# 04051",,,,,,,,,,
13,1,,121855-59880,, "JOINT",1,,,,,,,,,,,,,,,,,,,,,
14,1,,121855-59880,, "JOINT",1,,,,,,,,,,,,,,,,,,,,,
15,1,,22190-120002,, "SEAL WASHER 12",4,,,,,,,,,,,,,,,,,,,,,
16,1,,23857-060000,, "JOINT BOLT 6",1,,,,,,,,,,,,,,,,,,,,,
17,1,,124066-59100,, "CLAMP 8",9,,,,,,,,,,,,,,,,,,,,,
18,1,,129495-59300,, "BOLT, PIPE JOINT",1,,,,,,,,,,,,,,,,,,,,,
19,1,,129470-59530,, "JOINT, FUEL RETN. PIPE",1,,,,,,,,,,,,,,,,,,,,,
20,1,,121250-59550,, "PIPE, FUEL",3,,,,,,,,,,,,,,,,,,,,,
21,1,,105225-59120,, "PIPE, FUEL RETURN",1,,,,,,,,,,,,,,,,,,,,,
22,1,,129150-59580,, "CAP",1,,,,,,,,,,,,,,,,,,,,,
23,1,,128300-59910,, "VALVE ASSY, OVER-FLOW",1,,,,,,,,,,,,,,,,,,,,,
29,1,,22190-140002,, "SEAL WASHER 14S",2,,,,,,,,,,,,,,,,,,,,,
30,1,,22190-140002,, "SEAL WASHER 14S",2,,,,,,,,,,,,,,,,,,,,,
31,1,,23414-080000,, "GASKET 8, ROUND",1,,,,,,,,,,,,,,,,,,,,,
31-1,1,,22190-080002,, "SEAL WASHER 8S",1,,,,,,N,, "E/# 06107",,,,,,,,,,
32,1,,26106-080102,, "BOLT M 8X 10 PLATED",1,,,,,,,,,,,,,,,,,,,,,
33,1,,129210-59170,, "PIPE ASSY, FUEL OIL",1,,,,,,W,, "E/# 04051",,,,,,,,,,
34,2,,124766-59050,, "CLAMP 12",2,,,,,,W,, "E/# 04051",,,,,,,,,,
36,1,,129210-59110,, "PIPE ASSY, FUEL",1,,,,,,W,, "E/# 04051",,,,,,,,,,
37,2,,124766-59050,, "CLAMP 12",2,,,,,,W,, "E/# 04051",,,,,,,,,,



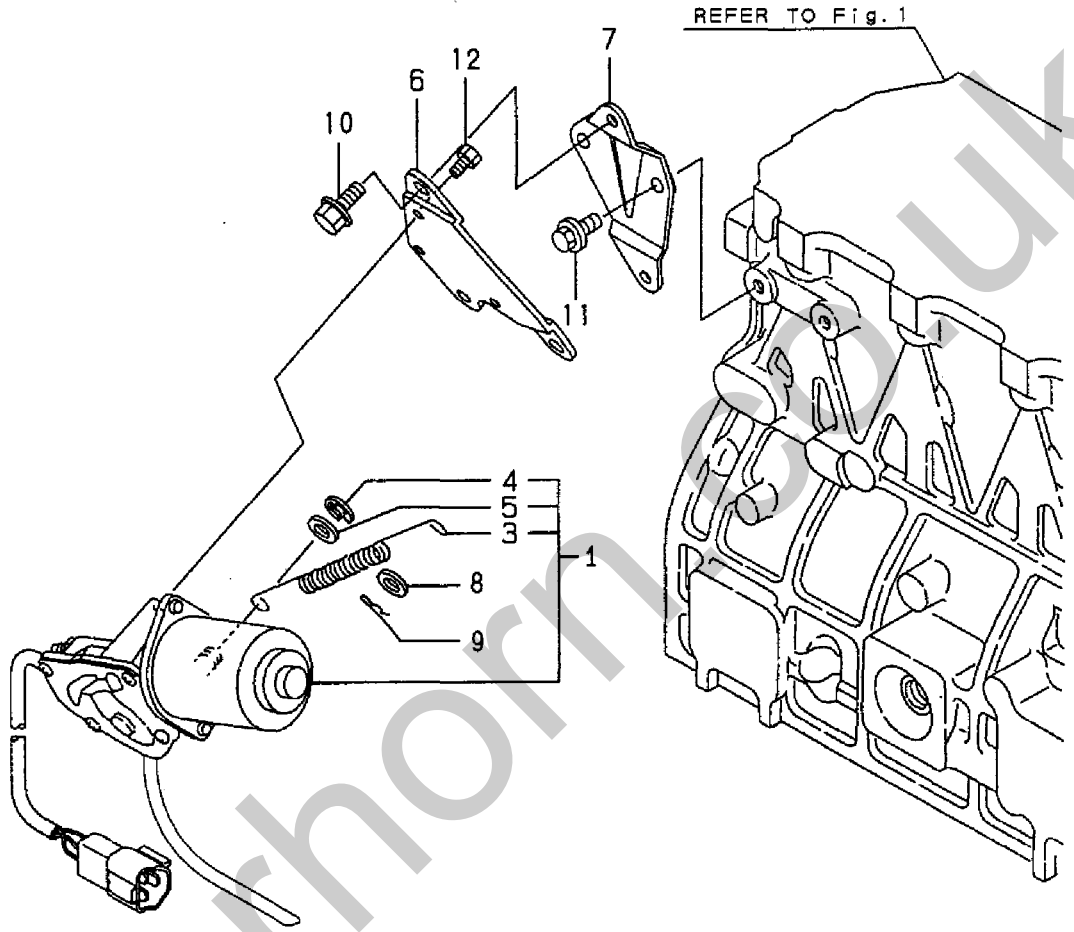
Fig. 14 燃料パイプ FUEL PIPE



1,1,,129900-66790,, "MOTOR ASSY, STOP",1,,,,,,,,,,,,,
3,2,,129900-66830,, "SPRING, STOP MOTOR",1,,,,,,,,,,,,,
4,2,,129566-66880,, "RING, SNAP",1,,,,,,,,,,,,,
5,2,,129566-66890,, "WASHER",1,,,,,,,,,,,,,
6,1,,119840-66811,, "BRACKET(B),STP.MOTOR",1,,,,,,,,,,,,,
7,1,,129900-66820,, "BRACKET(B),STP.MOTOR",1,,,,,,,,,,,,,
8,1,,22117-080000,, "WASHER 8",1,,,,,,,,,,,,,
9,1,,22360-080000,, "SNAP PIN 8",1,,,,,,,,,,,,,
10,1,,26106-080122,, "BOLT M 8X 12 PLATED",2,,,,,,,,,,,,,
11,1,,26106-080122,, "BOLT M 8X 12 PLATED",2,,,,,,,,,,,,,
12,1,,26116-050102,, "BOLT M 5X 10 PLATED",3,,,,,,,,,,,,,

Silverhorn.CO.UK

Fig. **15** 機関停止装置
ENGINE STOP DEVICE

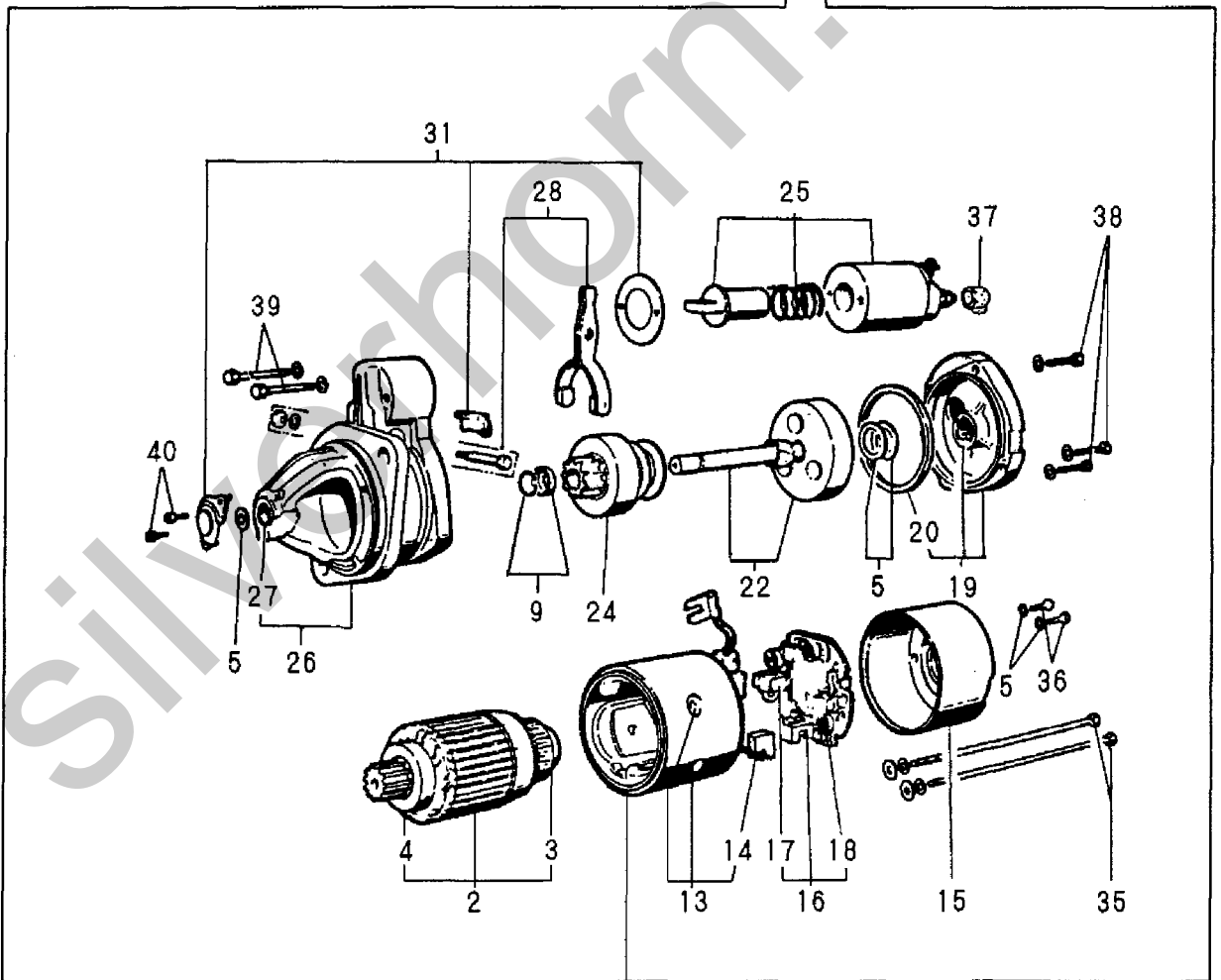
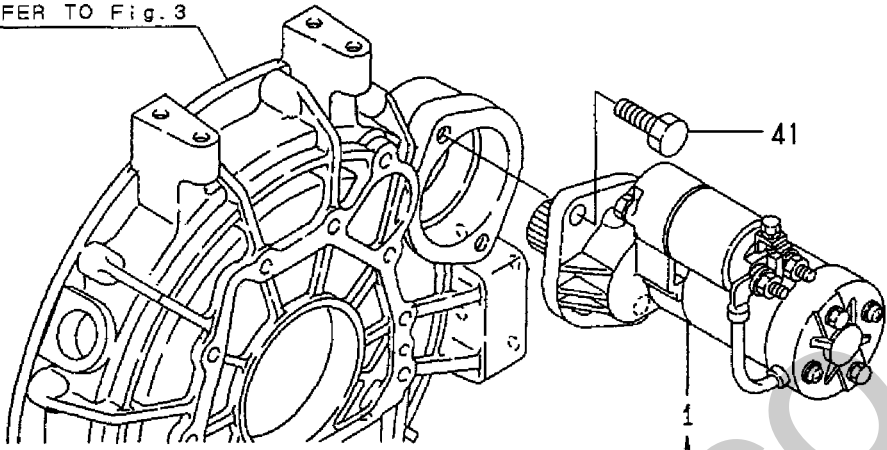


1,1,,129953-77010,, "STARTING MOTOR",1,,,,,,,,,,,,,
2,2,,121254-77402,, "ARMATURE ASSY",1,,,,,,,,,,,,,
3,3,,121254-77410,, "BALL BEARING",1,,,,,,,,,,,,,
4,3,,121254-77420,, "BALL BEARING",1,,,,,,,,,,,,,
5,2,,121254-77430,, "WASHER KIT, THRUST",1,,,,,,,,,,,,,
9,2,,121254-77480,, "STOPPER KIT, PINION",1,,,,,,,,,,,,,
13,2,,121254-77521,, "COIL ASSY, FIELD",1,,,,,,,,,,,,,
14,3,,121254-77541,, "BRUSH (+)",2,,,,,,,,,,,,,
15,2,,121254-77550,, "COVER ASSY, REAR",1,,,,,,,,,,,,,
16,2,,121254-77571,, "HOLDER",1,,,,,,,,,,,,,
17,3,,121254-77581,, "BRUSH",2,,,,,,,,,,,,,
18,3,,121254-77590,, "SPRING, BRUSH",4,,,,,,,,,,,,,
19,2,,121254-77600,, "BEARING ASSY, CENTER",1,,,,,,,,,,,,,
20,3,,121254-77210,, "SEAL, OIL",1,,,,,,,,,,,,,
22,2,,121254-77640,, "SHAFT ASSY, GEAR",1,,,,,,,,,,,,,
24,2,,129953-77660,, "PINION ASSY",1,,,,,,,,,,,,,
25,2,,X2130570040,, "SWITCH",1,,,,,,,,,,,,,
26,2,,121254-77681,, "CASE ASSY, GEAR",1,,,,,,,,,,,,,
27,3,,121254-77690,, "METAL, GEAR CASE",1,,,,,,,,,,,,,
28,2,,121254-77710,, "LEVER, SHIFT",1,,,,,,,,,,,,,
31,2,,121254-77730,, "DUST COVER SET",1,,,,,,,,,,,,,
35,2,,121254-77770,, "BOLT, THROUGH",2,,,,,,,,,,,,,
36,2,,121254-77790,, "SCREW 4",2,,,,,,,,,,,,,
37,2,,121254-77810,, "TERMINAL COVER",1,,,,,,,,,,,,,
38,2,,26106-060302,, "BOLT M 6X 30 PLATED",3,,,,,,,,,,,,,
39,2,,26106-060452,, "BOLT M 6X 45 PLATED",2,,,,,,,,,,,,,
40,2,,121254-77780,, "SCREW 5",2,,,,,,,,,,,,,
41,1,,26116-120302,, "BOLT M12X 30 PLATED",2,,,,,,,,,,,,,

Silverhorn.CO.UK

Fig. 16 スタートイングモータ
STARTING MOTOR

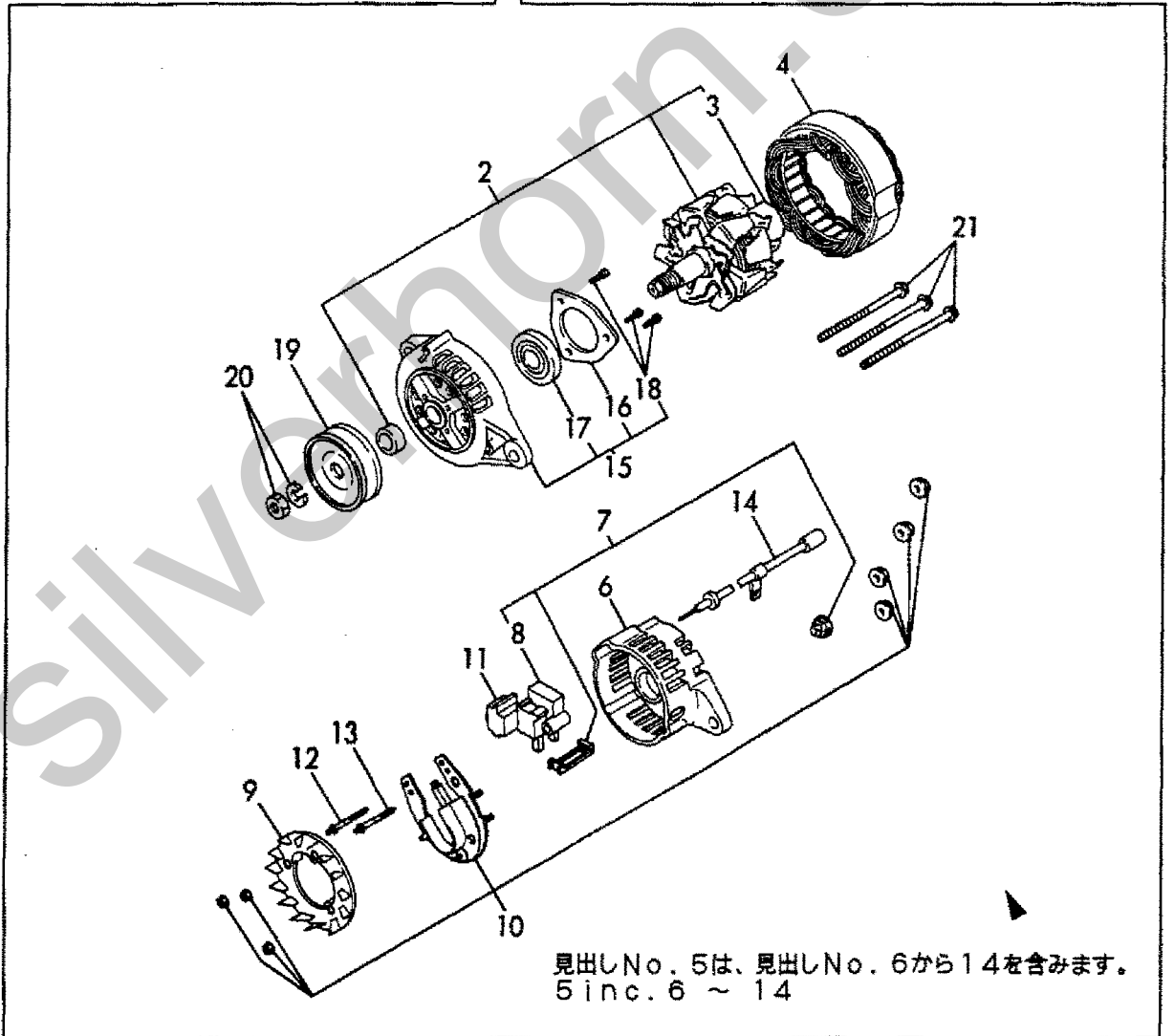
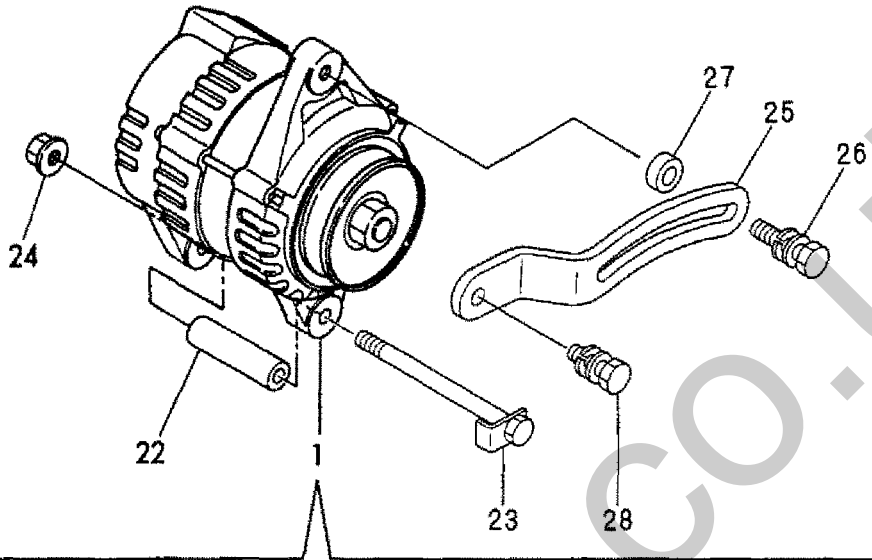
REFER TO Fig. 3



1,1,,119836-77200,,GENERATOR,1,,,,,,,,,,,,,
2,2,,119836-77700,,,"ROTOR ASSY",1,,,,,,,,,,,,,
3,3,,119836-77850,,,"BALL BEARING",1,,,,,,,,,,,,,
4,2,,119836-77710,,,"STARTER ASSY",1,,,,,,,,,,,,,
5,2,,119836-77721,,,"COVER ASSY, REAR",1,,,,,,,,,,,,,
6,3,,119836-77730,,,"COVER, REAR",1,,,,,,,,,,,,,
7,3,,119836-77741,,,"BRUSH ASSY,REGULATOR",1,,,,,,,,,,,,,
8,4,,119836-77750,,,"BRUSH ASSY",1,,,,,,,,,,,,,
9,3,,119836-77760,,,"GUIDE, FAN SIDE",1,,,,,,,,,,,,,
10,3,,119836-77770,,,"DIODE ASSY",1,,,,,,,,,,,,,
11,3,,119836-77780,,,"CONDENSER",1,,,,,,,,,,,,,
12,3,,119836-77871,,,"BOLT (1)",1,,,,,,,,,,,,,
13,3,,119836-77880,,,"BOLT (2)",1,,,,,,,,,,,,,
14,3,,119836-77890,,,"WIRE ASSY, LEAD",1,,,,,,,,,,,,,
15,2,,119836-77790,,,"COVER ASSY, FRONT",1,,,,,,,,,,,,,
16,3,,119836-77800,,,"RETAINER, BEARING",1,,,,,,,,,,,,,
17,3,,119836-77840,,,"BALL BEARING",1,,,,,,,,,,,,,
18,3,,119836-77860,,,"SCREW KID",1,,,,,,,,,,,,,
19,2,,119836-77810,,,"PULLEY",1,,,,,,,,,,,,,
20,2,,119836-77820,,,"NUT ASSY, PULLEY",1,,,,,,,,,,,,,
21,2,,119836-77830,,,"BOLT, THROUGH",1,,,,,,,,,,,,,
22,1,,129150-77340,,,"SPACER",1,,,,,,,,,,,,,
23,1,,129953-77200,,,"BOLT M 8X105",1,,,,,,,,,,,,,
23-1,1,,129953-77201,,,"BOLT",1,,,,,,N,,,"E/#02783",,,,,,
24,1,,26366-080002,,,"NUT M 8",1,,,,,,,,,,,,,
24-1,1,,129612-77260,,,"NUT ,GENERATOR",1,,,,,,N,,,"E/# 05351",,,,,,
25,1,,129953-77330,,,"ADJUSTER, V-BELT",1,,,,,,,,,,,,,
26,1,,26014-080352,,,"BOLT M 8X 35",1,,,,,,,,,,,,,
26-1,1,,119810-77340,,,"BOLT",1,,,,,,N,,,"E/#02783",,,,,,
27,1,,106500-44810,,,"SPACER",1,,,,,,,,,,,,,
28,1,,26014-080252,,,"BOLT M 8X 25",1,,,,,,,,,,,,,



Fig. 17 ジェネレータ
GENERATOR

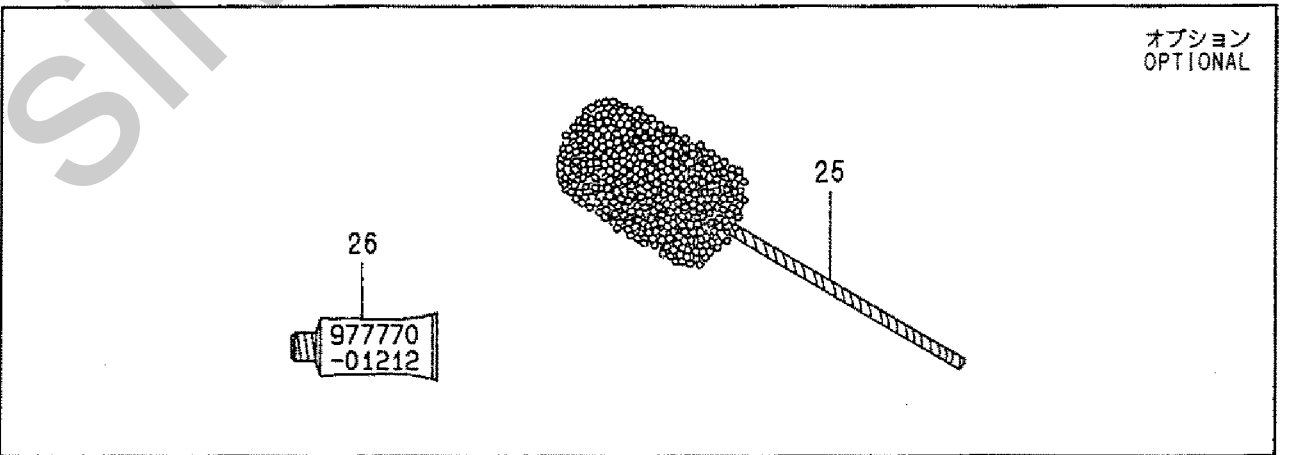
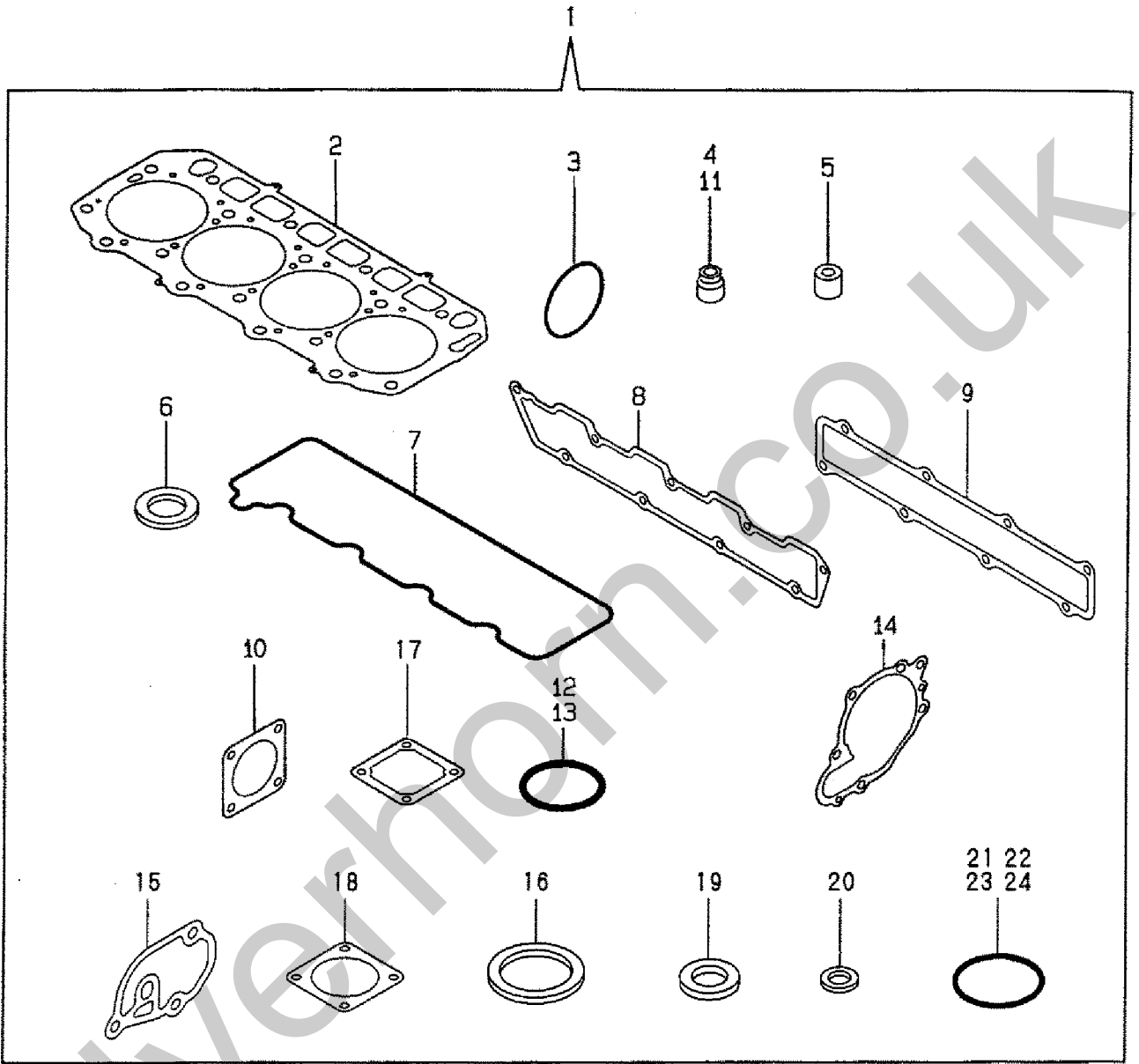


見出しNo. 5は、見出しNo. 6から14を含みます。
5inc. 6 ~ 14

1,1,,729953-92600,, "GASKET SET(NON-ASB.)",1,,,,,,,,1,,,,,,,,,
2,2,,129902-01330,, "GASKET,CYL.HEAD",1,,,,,,,,,
2-1,2,,129902-01331,, "GASKET, HEAD",1,,,,,N,,,,"E/# 06107",,,,,,
3,2,,24321-000850,, "O-RING 1A G-85.0",1,,,,,,,,,
4,2,,124460-11340,, "SEAL, VALVE STEM",4,,,,,,,,,
5,2,,119625-11870,, "PROTECTOR, NOZZLE",4,,,,,,,,,
6,2,,119625-11880,, "SEAT, NOZZLE",4,,,,,,,,,
7,2,,129900-11310,, "GASKET, BONNET",1,,,,,,,,,
8,2,,129900-12050,, "GASKET, SUC.MANIFOLD",1,,,,,,,,,
9,2,,129900-13251,, GASKET,1,,,,,,,,,
10,2,,129400-13201,, "GASKET, (NON-ASB.)",1,,,,,,,,,
11,2,,121400-11340,, "SEAL, VALVE STEM",4,,,,,,,,,
12,2,,129900-32030,, "O-RING P20",2,,,,,,,,,
13,2,,129900-32040,, "O-RING P14",1,,,,,,,,,
14,2,,129900-42020,, "GASKET, CW-P",1,,,,,,,,,
15,2,,129900-49870,, "GASKET, CASE",1,,,,,,,,,
16,2,,121850-49550,, "GASKET, THERMOSTAT",1,,,,,,,,,
17,2,,121850-77021,, "GASKET, (NON-ASB.)",1,,,,,,,,,
18,2,,121850-49540,, "GASKET, THERMOSTAT",1,,,,,,,,,
19,2,,124465-44950,, "GASKET 16",1,,,,,,,,,
20,2,,129150-49360,, "GASKET 10",1,,,,,,,,,
21,2,,24311-000070,, "O-RING 1A P-7.0",1,,,,,,,,,
22,2,,24311-000120,, "O-RING 1A P 12.0",3,,,,,,,,,
23,2,,24341-000240,, "O-RING 1A S-24.0",1,,,,,,,,,
24,2,,24311-000320,, "O-RING 1A P-32.0",2,,,,,,,,,
25,1,,129400-92420,, "FLEX HORN",1,,,,,1,,,,,
26,1,,977770-01212,, "GASKET, LIQUID",1,,,,,1,,,,,



Fig. 18 パッキンセット (オプション) & 工具
GASKET SET (OPTIONAL) & TOOL



0,Y00B5472
1,001,, "ENGINE 4TNE98-BV"
2,1,, "CYLINDER BLOCK",4TNE98-BV,,,
2,2,, "GEAR HOUSING",4TNE98-BV,,,
2,3,, "FLYWHEEL HOUSING & OIL SUMP",4TNE98-BV,,,
2,4,, "CYLINDER HEAD & BONNET",4TNE98-BV,,,
2,5,, "SUC MANIFOLD",4TNE98-BV,,,
2,6,, "EXH MANIFOLD & SILENCER",4TNE98-BV,,,
2,7,, "CAMSHAFT & DRIVING GEAR",4TNE98-BV,,,
2,8,, "CRANKSHAFT & PISTON",4TNE98-BV,,,
2,9,, "LUB.OIL SYSTEM",4TNE98-BV,,,
2,10,, "COOLING WATER SYSTEM",4TNE98-BV,,,
2,11,, "FUEL INJECTION PUMP",4TNE98-BV,,,
2,12,, GOVERNOR,4TNE98-BV,,,
2,13,, "FUEL INJECTION VALVE",4TNE98-BV,,,
2,14,, "FUEL PIPE",4TNE98-BV,,,
2,15,, "ENGINE STOP DEVICE",4TNE98-BV,,,
2,16,, "STARTING MOTOR",4TNE98-BV,,,
2,17,, GENERATOR,4TNE98-BV,,,
2,18,, "GASKET SET(OPTIONAL) & TOOL",4TNE98-BV,,,

Silverhorn.CO.UK